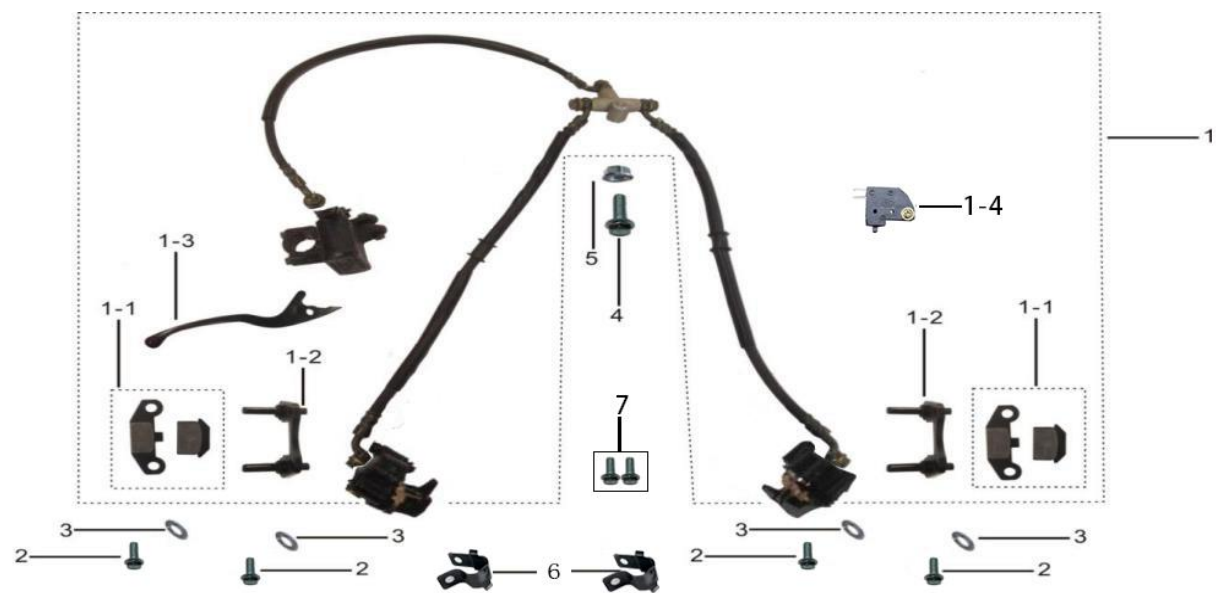


EA70 Parts Diagram



方向把组件

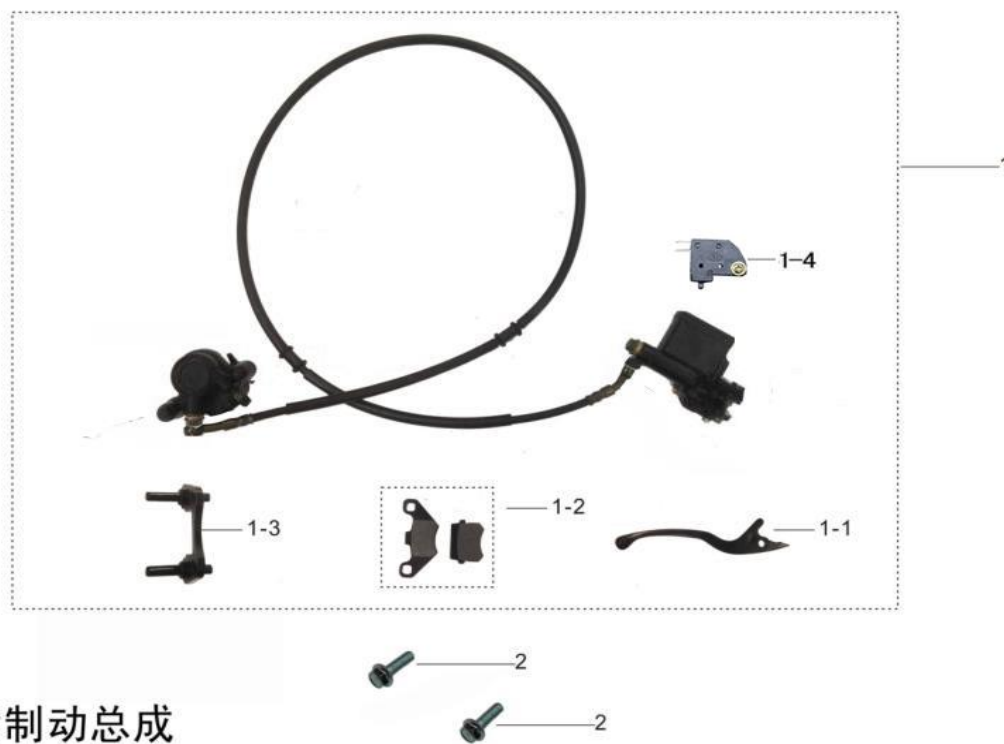
No.	U8 Code	EN name
1	602006-0022	handlebar grip
2	313001-0017	multi-functional switch
3	602001-0020	handlebar
4	602017-0001	handlebar foam
5	313003-0020	stop switch
6	906003-0002	plastic belt
7	602011-0015	right finger dial accelerator



前制动总成

No.	U8 Code	EN name
1	404000-0128	front disc brake assy.
1-1	404007-0011	front brake pad
1-2	404008-0011	front brake bracket
1-3	404002-0016	brake lever-R
1-4	404011-0012	brake switch
2	903019-0011-02	bolt
3	903002-0004-02	washer
4	903018-0011	bolt

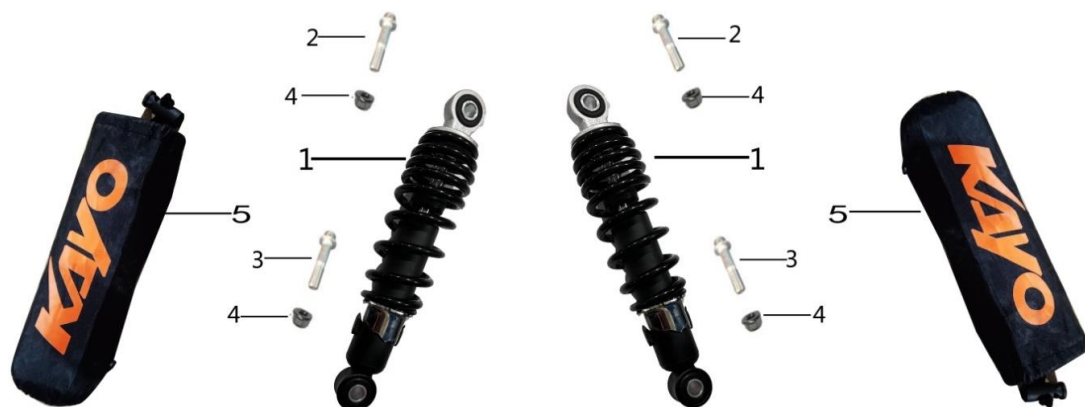
5	903007-0004-02	nut
6	405010-0002	Rear disc brake oil pipe clamp
7	903018-0003-02	bolt



后制动总成

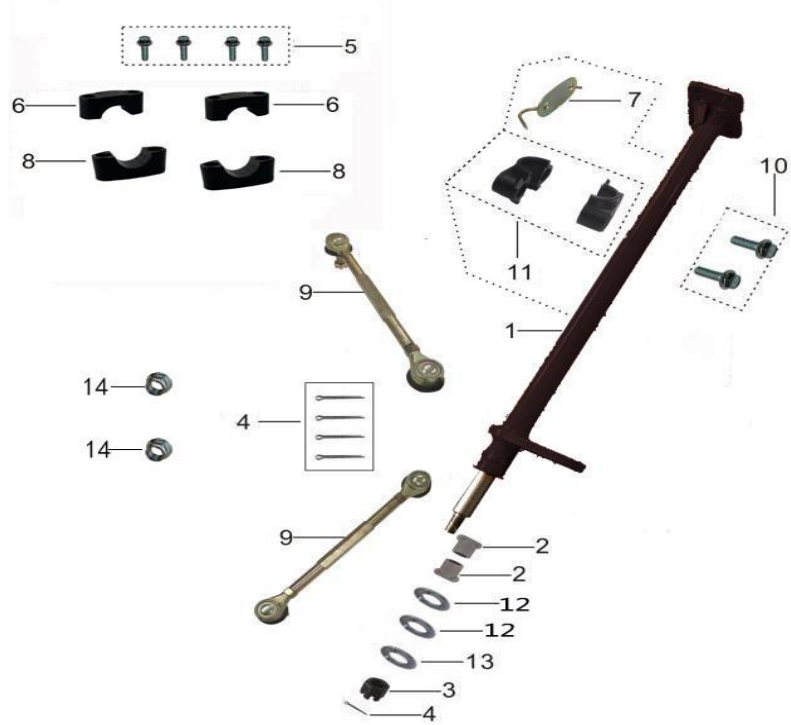
No.	U8 Code	EN name
1	405000-0127	rear brake assy.
1-1	404002-0015	brake lever-L
1-2	405008-0007	rear brake pad
1-3	405009-0011	rear brake bracket

1-4	405012-0009	Rear brake switch
2	903019-0013-02	flange bolt



前减震总成

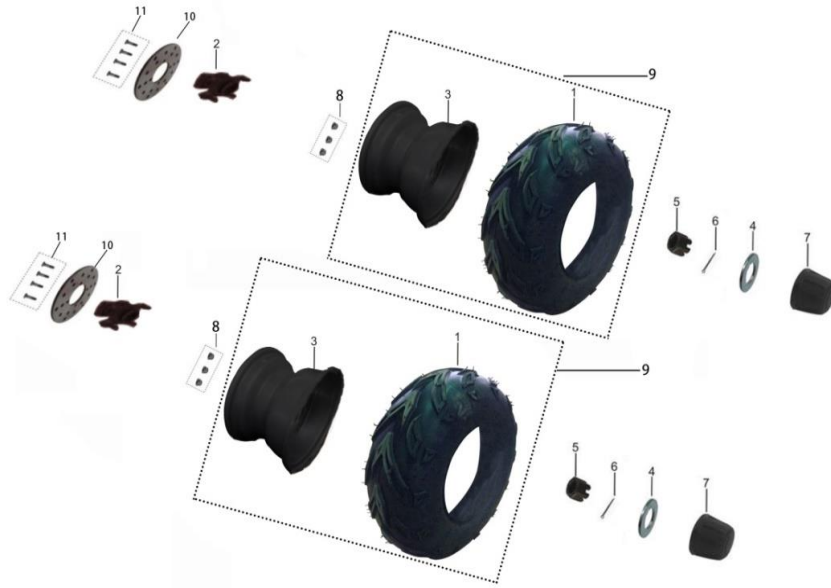
No.	U8 Code	EN name
1	501000-0085	front fork
2	903018-0033	bolt
3	903018-0032	bolt
4	903007-0006	nut
5	501004-0005	Shock sheath



转向柱组件

No.	U8 Code	EN name
1	566000-0019-02	steering column
2	902002-0031	steering column bush
3	903008-0009	slotted nut
4	904002-0002-02	cotter pin
5	903018-0014	bolt

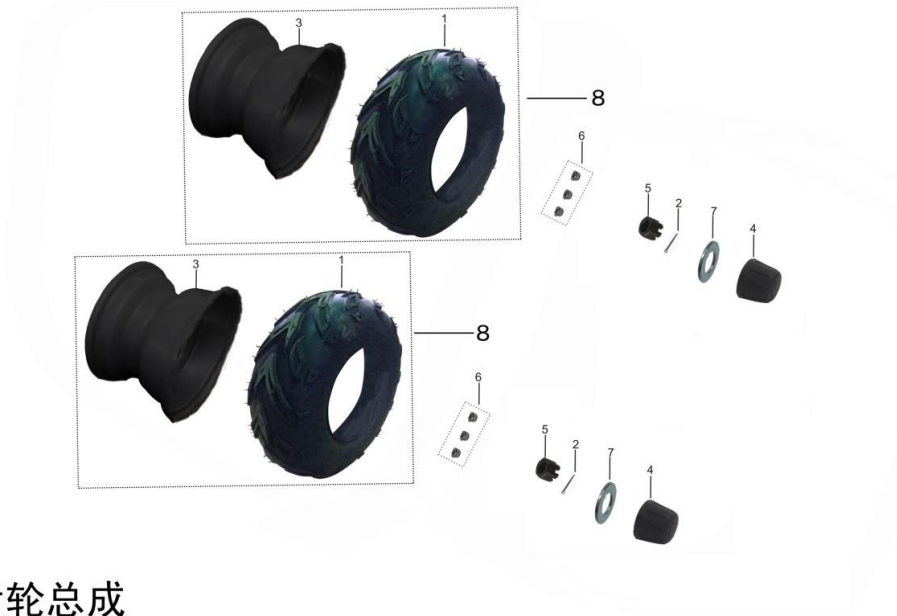
6	601003-0022	upper raiser
7	568000-0001	Steering column lock
8	601004-0027	lower raiser
9	603001-0002	steering linkages
10	903018-0015	bolt
11	603004-0003	steering column raiser
12	903003-0003	gasket
13	903002-0008-02	gasket
14	903007-0006	nut



前轮组件

No.	U8 Code	EN name
1	401006-0042	front tyre
2	401003-0008	front hub
3	401000-0055	front rim
4	903002-0014	washer
5	903008-0011	nut
6	904002-0004-02	cotter pin
7	401011-0001	hub cover

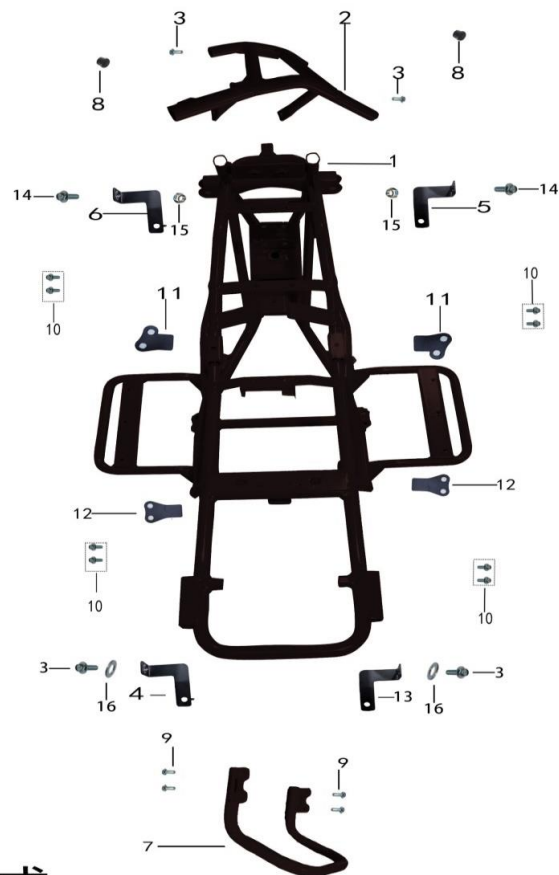
8	903007-0004-02	nut
9	401012-0024	front wheel essy.
10	404001-0014	Front brake disc
11	903014-0001	screw



后轮总成

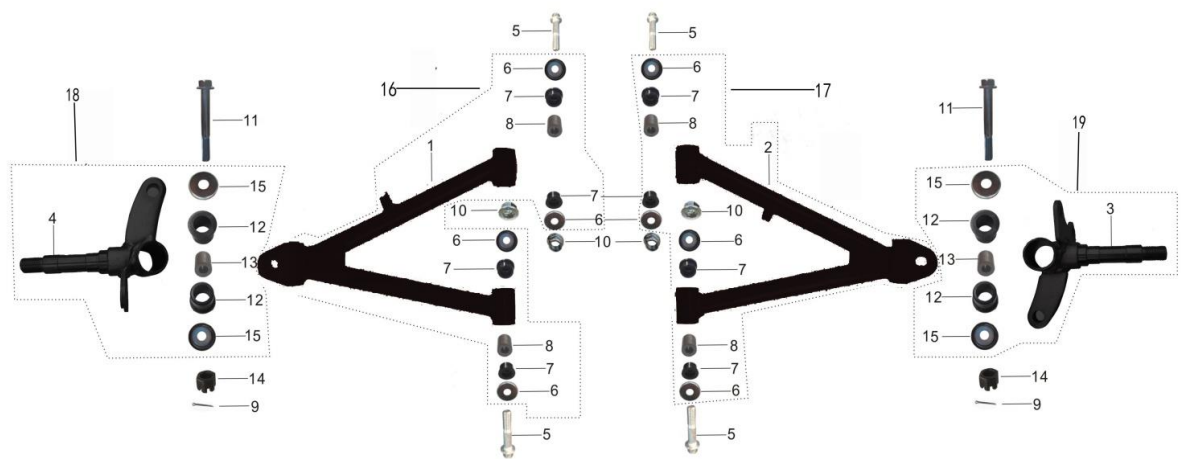
No.	U8 Code	EN name
1	401006-0042	rear tyre
2	904002-0006-02	cotter pin
3	401000-0056	front rim
4	401011-0001	hub cover

5	903008-0030	nut
6	903007-0004-02	nut
7	903002-0014	washer
8	401012-0023	rear wheel essy.



车架总成

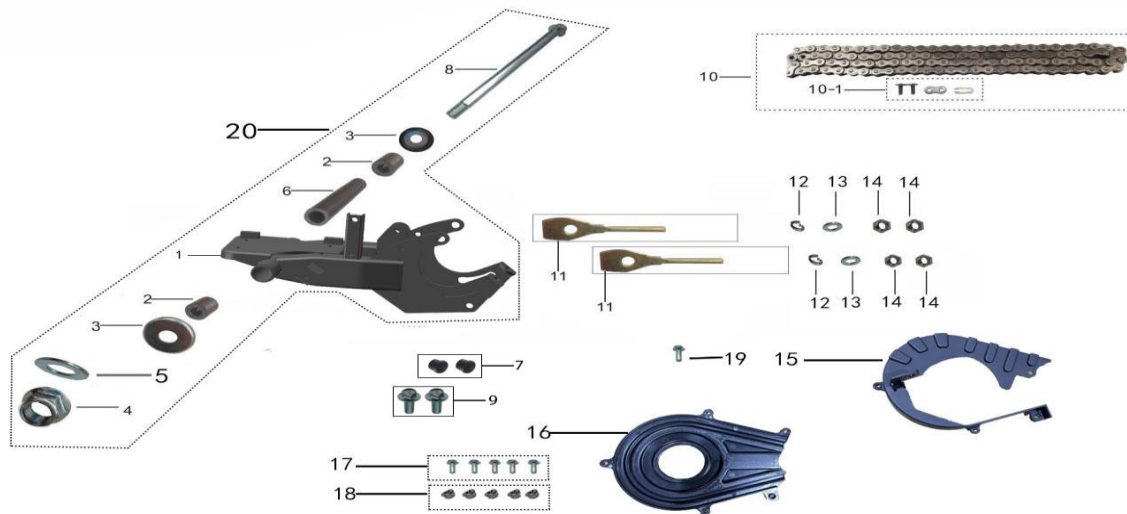
No.	U8 Code	EN name
1	561000-0090-02	frame
2	704000-0029-02	bumper
3	903019-0012-02	bolt
4	568000-0156	Left rear fender bracket
5	568000-0098	bugle bracket-right
6	568000-0097	bugle bracket-left
7	562000-0004-02	subframe assy.
8	908004-0003	rubber plug
9	903019-0011-02	bolt
10	903019-0013-02	bolt
11	315012-0027	battery fixing plate-F
12	315012-0028	battery fixing plate-R
13	568000-0157	right rear fender bracket
14	903019-0003	bolt
15	903007-0002-02	nut
16	903002-0004-02	washer



前摇臂总成

No.	U8 Code	EN name
1	565000-0070-02	left lower arm
2	565000-0071-02	right lower arm
3	603002-0030-01	right steering knuckle
4	603002-0029-01	left steering knuckle
5	903018-0035	flange bolt
6	908007-0006	seal gasket
7	902002-0029	buffered bush
8	902001-0026	steel bush
9	904002-0002-02	cotter pin

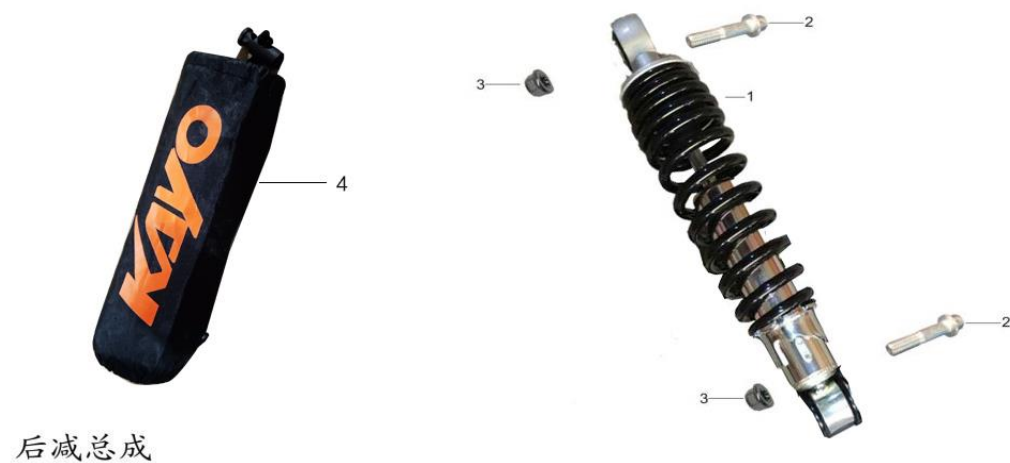
10	903007-0006	flange lock nut
11	903017-0018	bolt
12	902002-0038	plastic bush
13	901003-0004	inner tube
14	903008-0010	slotted nut
15	908007-0007	steering knuckle seal cover
16	565000-0070-02A	left lower arm kit
17	565000-0071-02A	right lower arm kit
18	603002-0030-01A	left steering knuckle kit
19	603002-0029-01A	right steering knuckle kit



后平叉总成

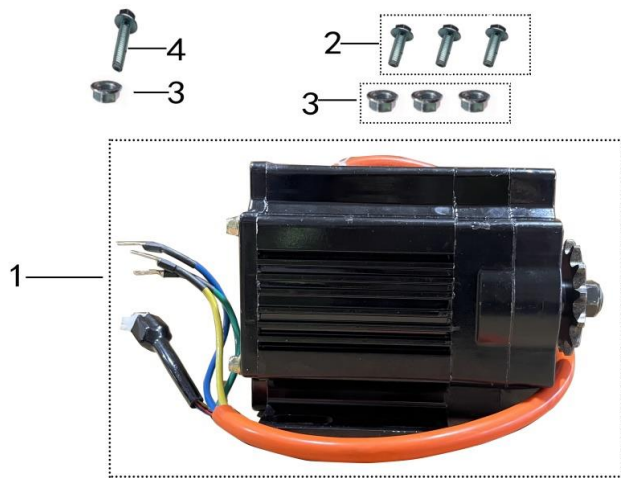
No.	U8 Code	EN name
1	563000-0024-01	swing arm
2	902001-0053	swing arm spacer
3	908007-0007	steering knuckle seal cover
4	903007-0008	flange lock nut
5	903002-0010	gasket
6	901003-0007	inner tube
7	908004-0002	plug
8	901001-0022	flange axle
9	903018-0003-02	flange bolt
10	203000-0107	chain
10-1	203001-0001	chain joint
11	203003-0008	chain adjuster
12	903001-0003	spring washer
13	903002-0004-02	flat gasket
14	903005-0007-02	nut
15	203004-0057	Sprocket guard cover
16	203004-0058	Sprocket guard cover

17	903007-0002-02	nut
18	903018-0004-02	bolt
19	903019-0012-02	bolt
20	563000-0024-01A	swing arm assy.



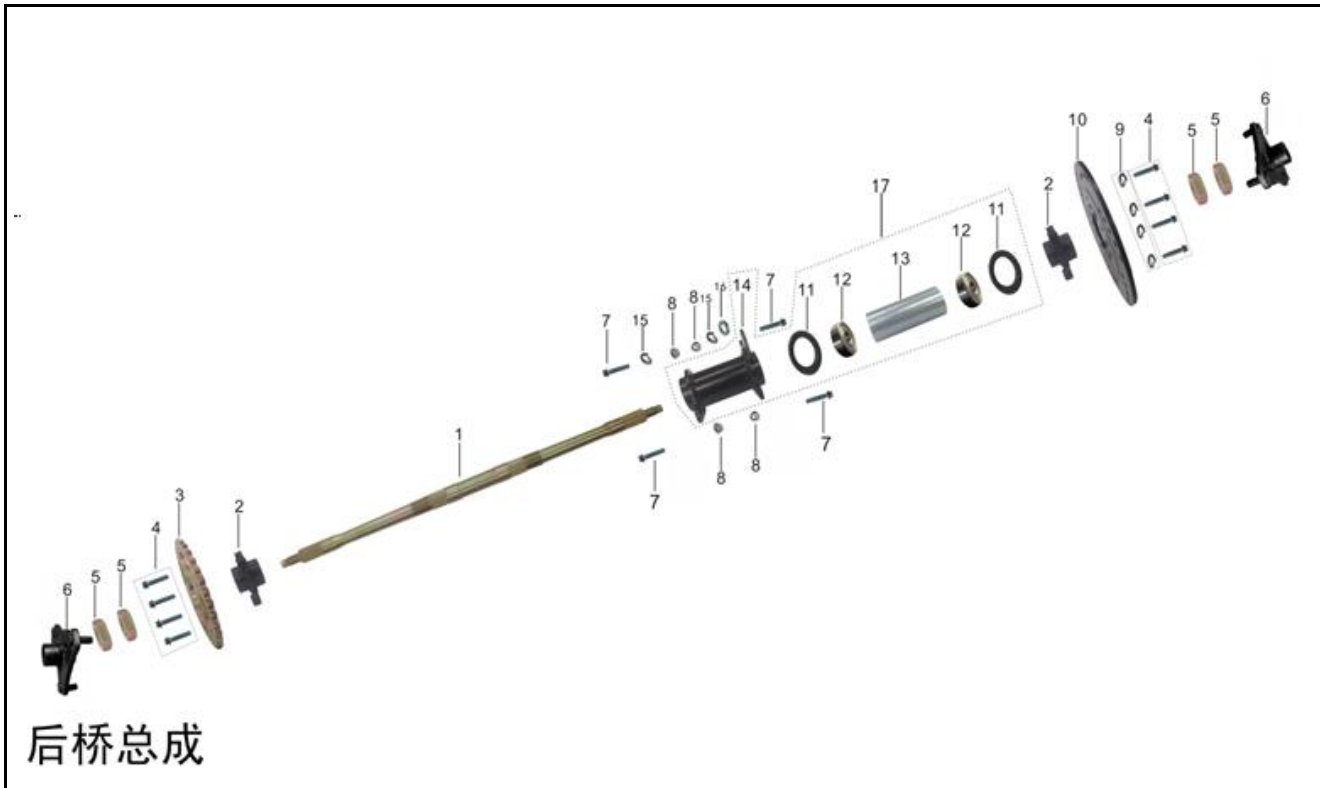
后减总成

No.	U8 Code	EN name
1	502000-0087	rear shock
2	903018-0032	flange bolt
3	903007-0006	self-locking nut
4	501004-0005	Shock absorbing sheath



电机总成

No.	U8 Code	EN name
1	316004-0023	motor
2	903019-0013-02	bolt
3	903007-0004-02	nut
4	903018-0017	bolt



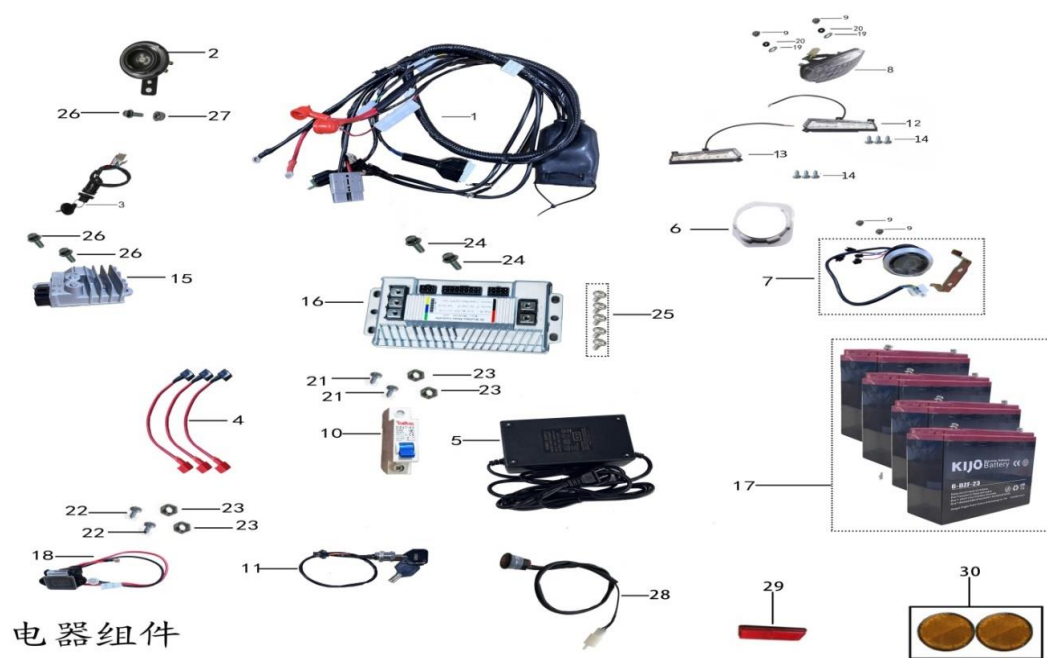
后桥总成

No.	U8 Code	EN name
1	505001-0004	rear wheel axle
2	404011-0003	brake disc base
3	205001-0004	rear sprocket
4	903019-0012-02	bolt
5	903008-0015	nut
6	402003-0023	Rear hub flange

7	903018-0030	bolt
8	903007-0006	flange lock nut
9	903001-0003	spring washer
10	405001-0012	rear brake disc
11	908001-0008	oil seal
12	907001-0009	bearing
13	901003-0008	inner tube
14	564000-0019	rear axle
15	903001-0005	spring washer
16	903002-0008	flat gasket
17	564000-0019A	Rear axle essy.



No.	U8 Code	EN name
1	908007-0061	battery box
2	903008-0034	nut
3	903013-0002	screw
4	804019-0051	small sticker
5	909010-0009	EVA



No.	U8 Code	EN name
1	309001-0142-02	main cable

2	310001-0001	trumpet
3	314001-0003-03	electrical lock
4	309002-0004	battery connecting line
5	316002-0023	charger
6	308006-0021-02	speed meter cover
7	311001-0025-02	speed meter
8	308002-0005	rear light
9	903006-0001-02	bolt
10	313004-0001	Air protection switch
11	313004-0010	Unlock key switch
12	308001-0030	front left light
13	308001-0031	front right light
14	903010-0004	screw
15	316001-0021	convertor
16	316001-0020	controller
17	312001-0018	battery
18	316005-0011	Battery box socket
19	903002-0002-02	flat gasket
20	908003-0002	rubber flat gasket
21	903009-0002	screw
22	903011-0001	screw
23	903008-0001	nut
24	903018-0004-02	bolt
25	903020-0022	screw
26	903019-0003	bolt

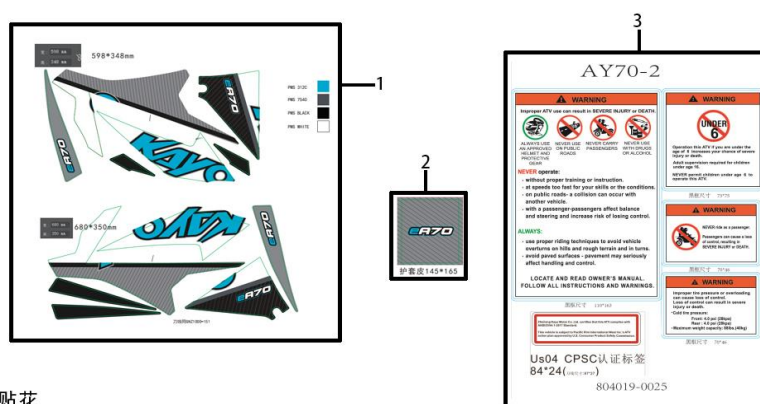
27	903007-0002-02	nut
28	308004-0002-02	signal light
29	308006-0010	Rear left and right reflectors
30	308006-0011	Front left and right reflectors



塑件总成

No.	U8 Code	EN name
1	803001-0010-03	main plastic
2	803001-0008	left plastic footpeg
3	803001-0009	right plastic footpeg
4	308006-0020	head light bracket
5	803001-0005	head cover
6	803001-0006	left side plate
7	803001-0007	right side plate
8	803001-0011	Plastic bumper

9	701000-0049	seat
10	903010-0004-02	screw
11	903006-0002-02	flange nut
12	908003-0002	flat washer
13	903012-0007-02	screw
14	903008-0020-2	nut
15	903010-0012	screw



贴花

No.	U8 Code	EN name
1	804015-0009	sticker
2	804015-0010	handlebar foam cover
3	804019-0025	warning sticker