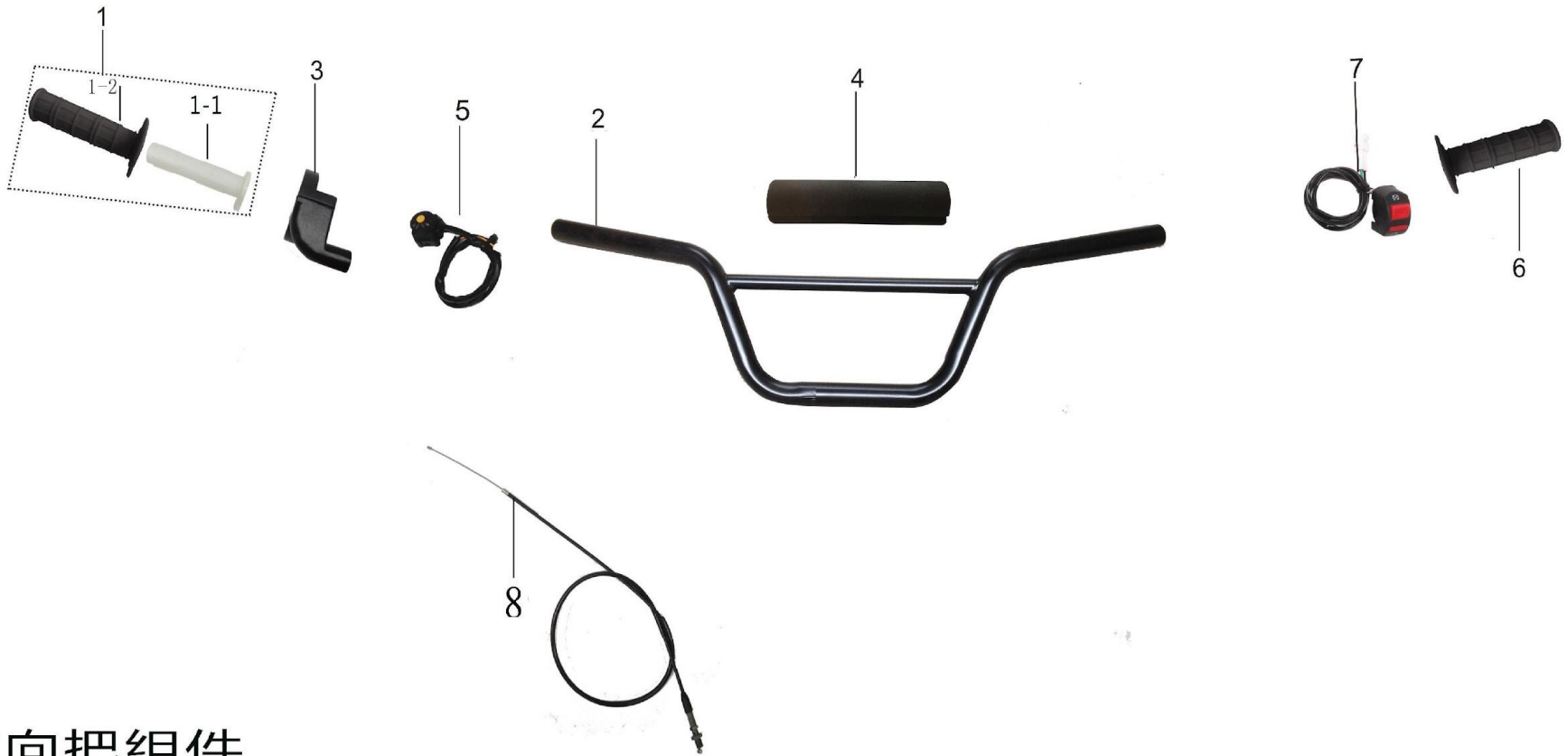


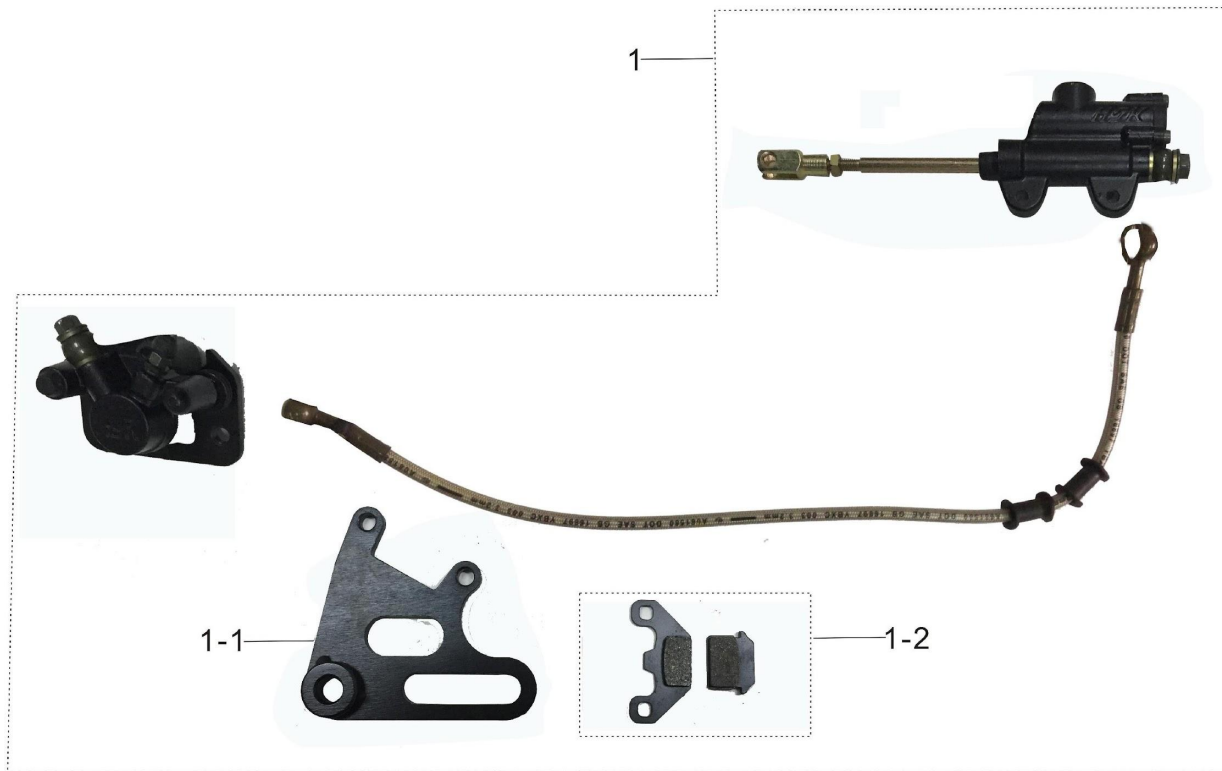
No.	U8 CODE	EN name
-----	---------	---------



方向把组件

1	602006-0004-02	right grip
1-1	602012-0002	throttle perch bar core
1-2	602006-0005-02	grip
2	602001-0004-01	steel handle bar
3	602011-0003	throttle perch
4	602017-0002	bar padding core

5	313002-0007	start switch
6	602006-0003-02	left grip
7	313003-0015	stop switch
8	602014-0024	throttle cable
1	404000-0168	front brake assy.
1-1	404008-0020	front brake bracket
1-2	404007-0008	front brake pad
1-3	404002-0008	unfolding brake lever



后制动组件

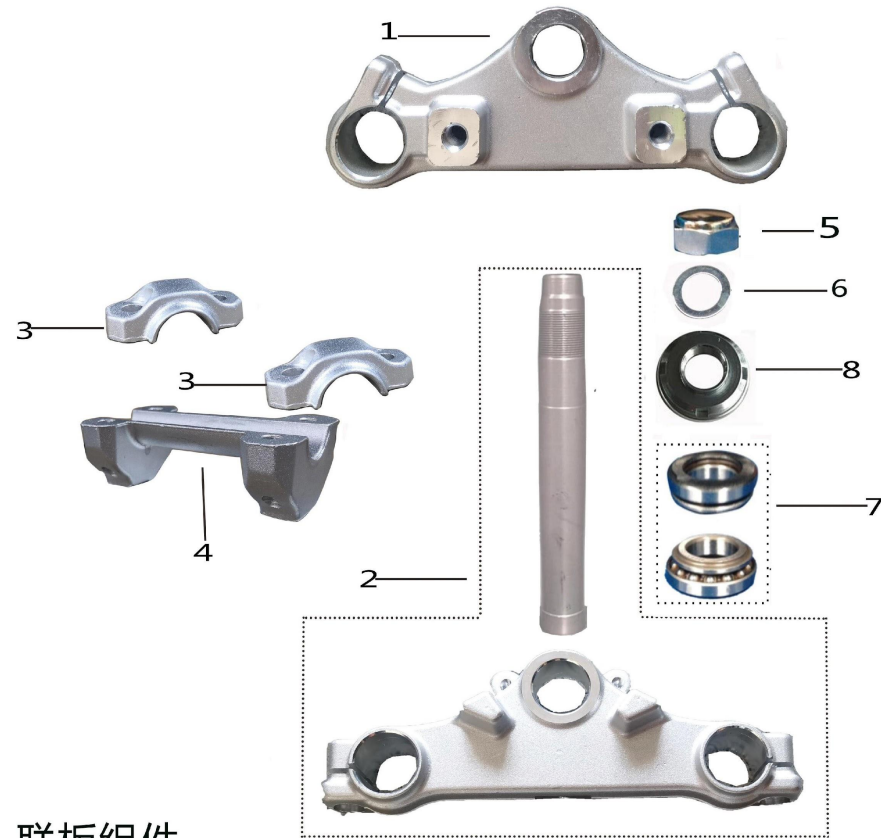
1	405000-0003	rear brake assy
1-1	405009-0005	rear brake bracket
1-2	405008-0004	rear brake pad



前减总成

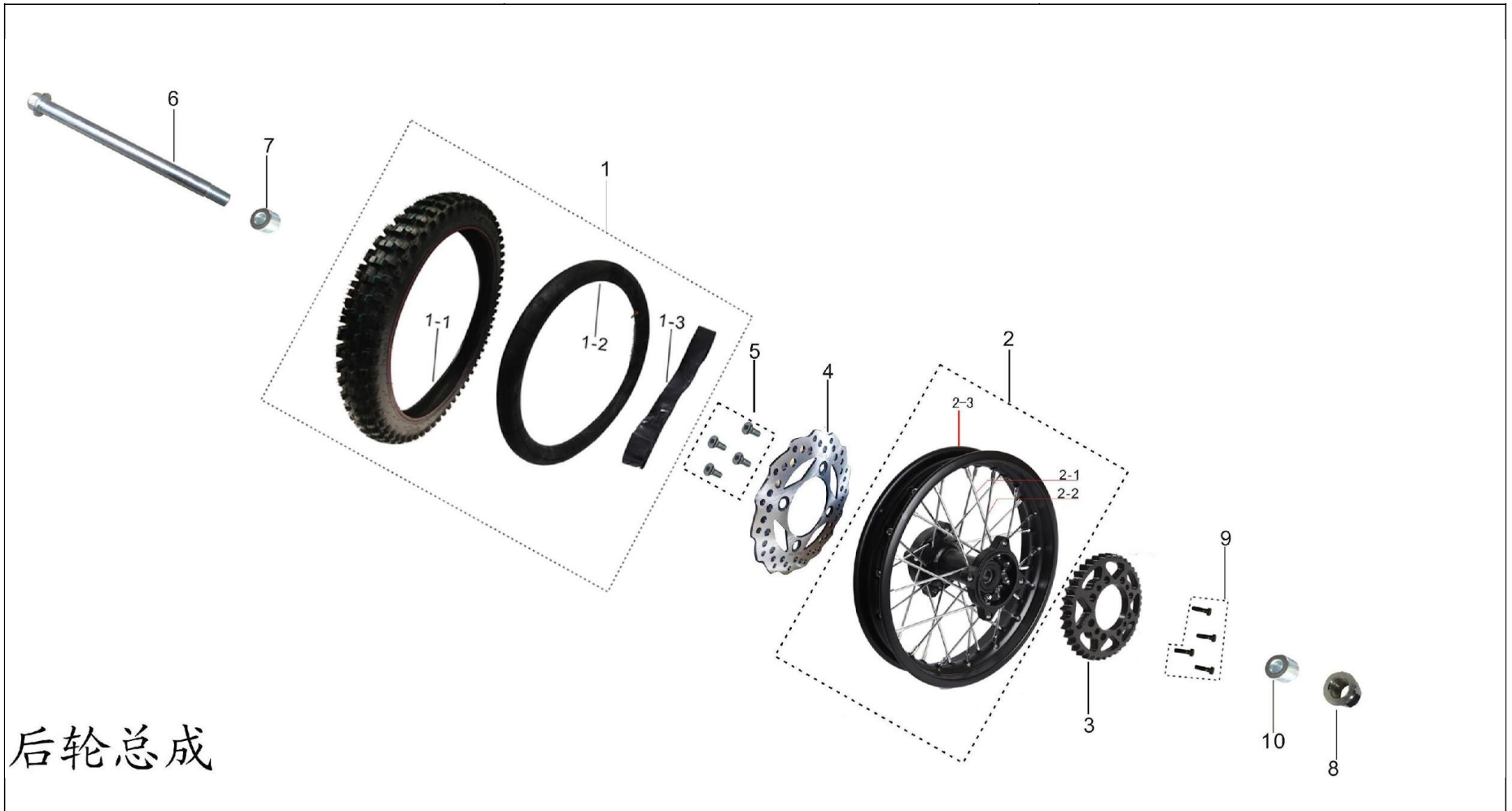
1	501000-0114	front left shock
---	-------------	------------------

2	501000-0115	front right shock
---	-------------	-------------------



1	601001-0025	upper clamp
2	601002-0027	lower clamp
3	601003-0017	upper raiser

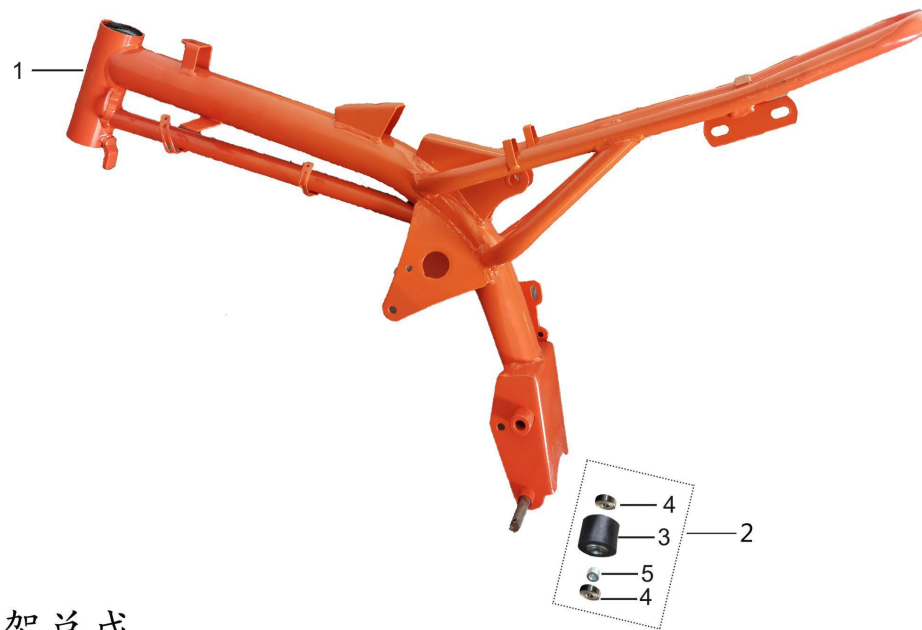
4	601004-0022	lower raiser
5	601005-0001	nut
6	601005-0012	washer
7	907001-0028	bearing
8	601005-0009	dust seal
1	401005-0036	tire assembly (tire,tube,liner)
1-1	401006-0047	front tyre
1-2	401007-0003	inner tube
1-3	401008-0001	lining belt
2	401000-0008-02	front rim assy
2-1	401004-0002	spoke
2-2	401004-0002	spoke
2-3	401002-0008	steel rim
3	404001-0019	front brake disc
4	404011-0001	bolt
5	902001-0068	busher
6	901001-0027	flange axle
7	902001-0060	busher
8	903007-0009	nut



后轮总成

1	402005-0036	rear tire assembly (tire,tube,liner)
1-1	402006-0038	rear tyre
1-2	402007-0019	inner tube
1-3	401008-0001	lining belt
2	402000-0010-02	rear rim assy
2-1	402004-0002	spoke
2-2	402004-0001	spoke

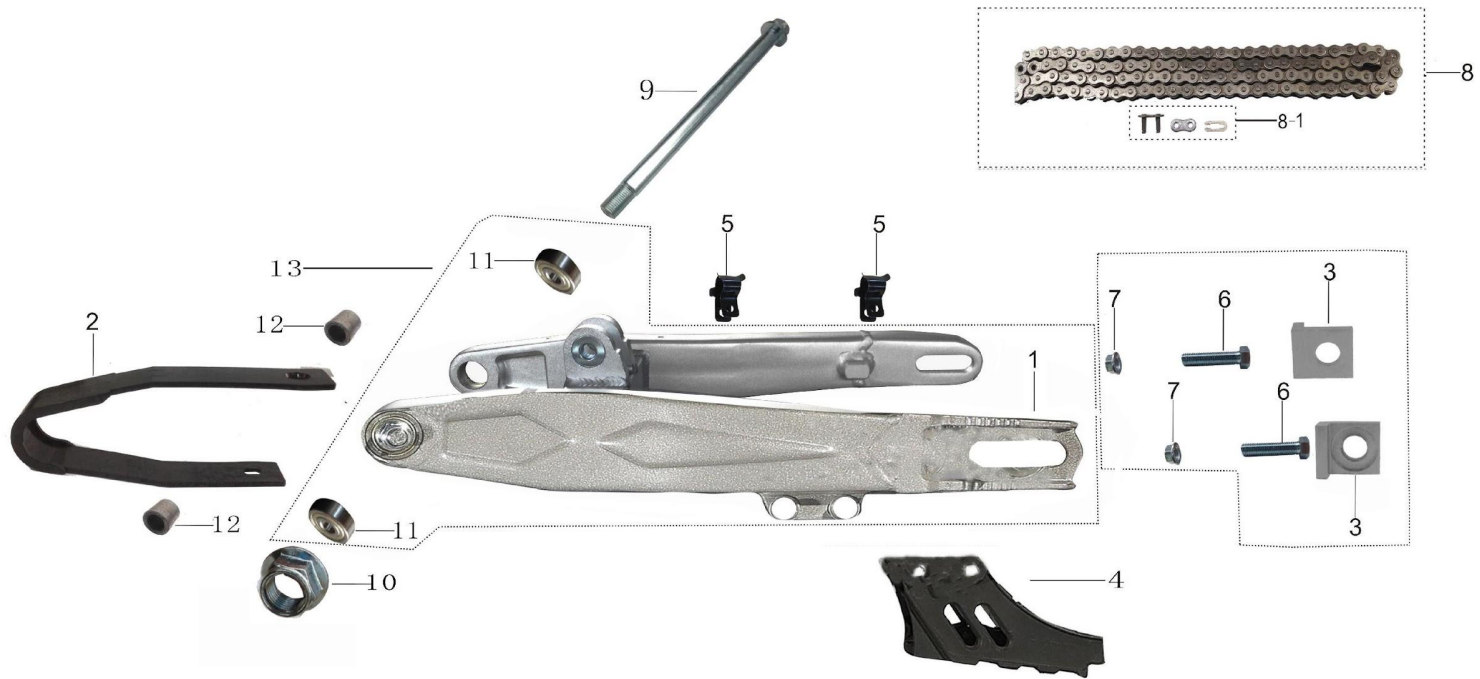
2-3	402002-0005	steel rim
3	205001-0034	steel rear sprocket
4	405001-0017	rear brake disc
5	404011-0001	bolt
6	901001-0033	flange axle
7	902001-0069	busher
8	903007-0009	nut
9	903014-0006	screw
10	902001-0071	busher



车架总成

1	551000-0110-03	frame assy
---	----------------	------------

2	C90002-0012	chain roller assy
3	203004-0014	chain roller
4	907001-0001	bearing
5	902001-0003	busher



平叉总成

1	553000-0058	steel swing arm
---	-------------	-----------------

2	203004-0049	chain slider
3	203002-0001-06	alloy chain adjuster
4	203004-0036-01	chain guide
5	405010-0003	oil pipe clip
6	903017-0007-03	bolt
7	903005-0006	nut
8	203000-0055	chain
8-1	203001-0002	chain clip
9	901001-0005	flange axle
10	903007-0006	nut
11	907001-0014	bearing
12	902001-0035	busher
13	C90002-0016	steel swing arm assy



链罩总成

1

203004-0048

chain protective cover

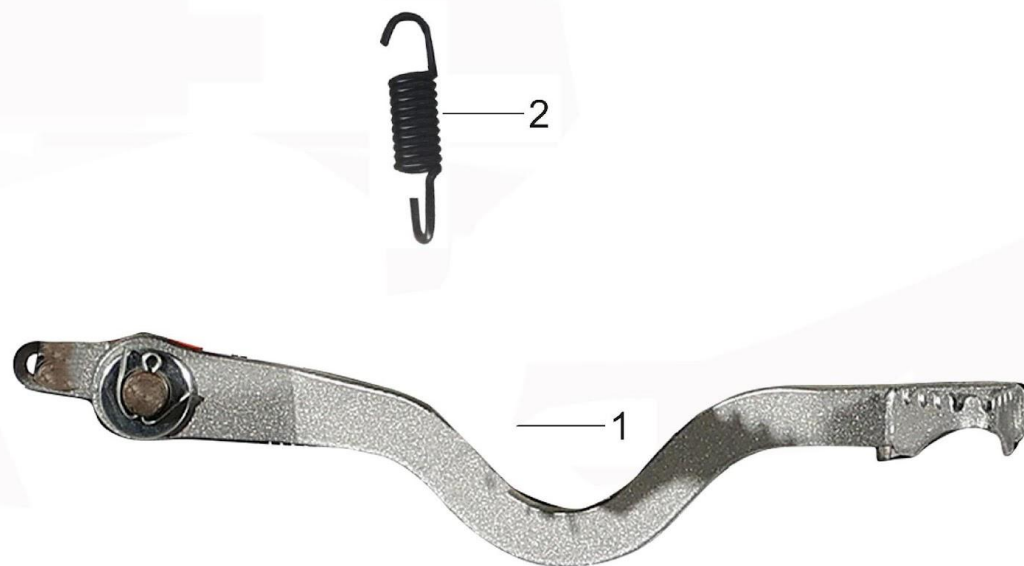


后减总成

1

502000-0008

rear shock assy



刹车踏板组件

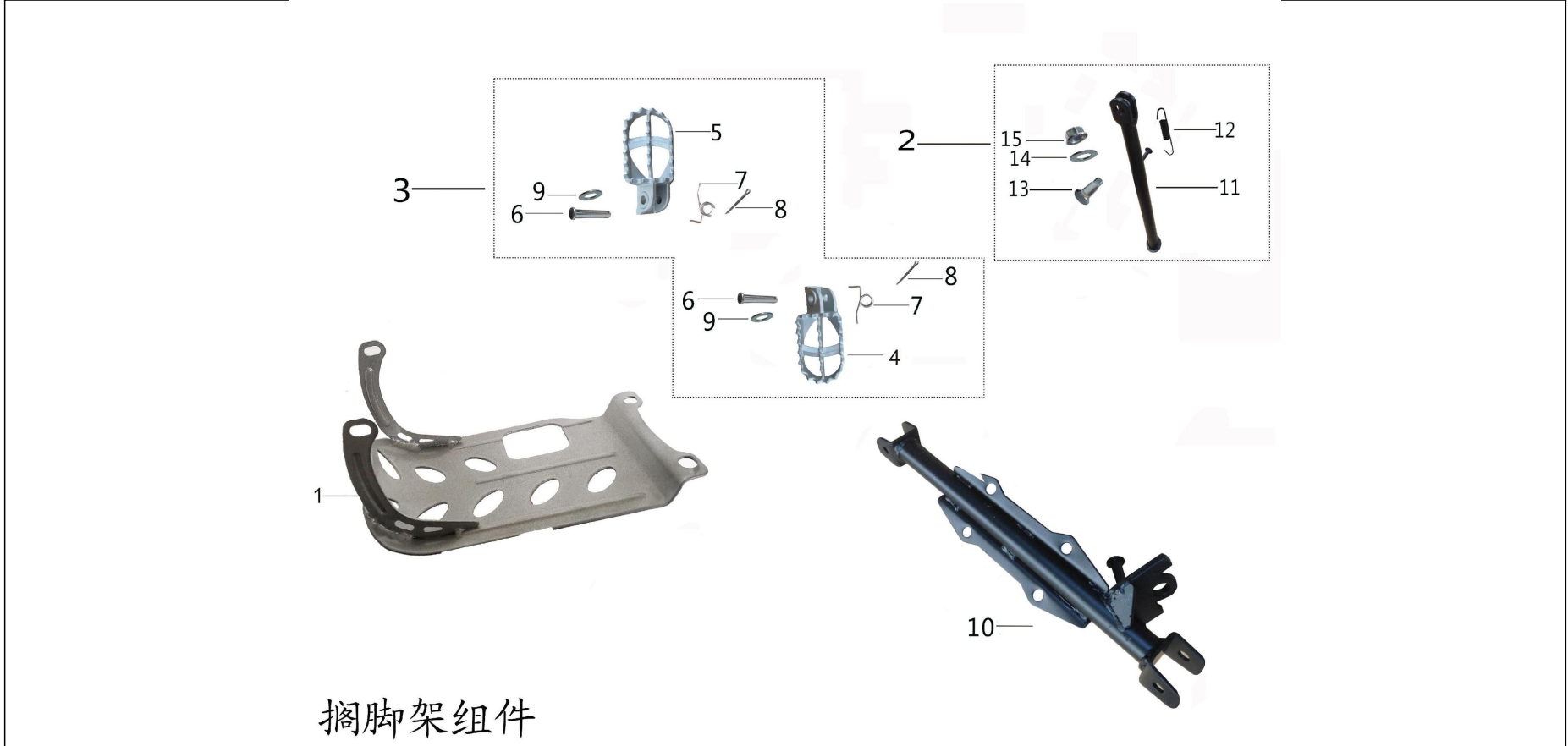
1	406001-0020-02	Brake pedal
2	407003-0002	pedal spring



1

发动机总成

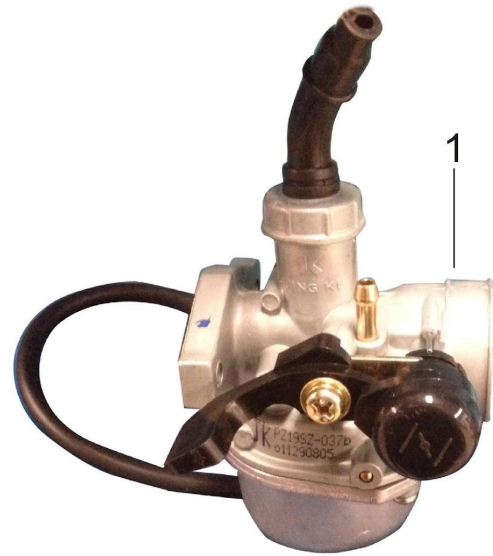
1	101000-0536	engine assy
---	-------------	-------------



搁脚架组件

1	109001-0006-02	steel plate
---	----------------	-------------

2	C9002-0020	side stand assy
3	C9002-0019	footpeg assy
4	506003-0028	left footpeg assy
5	506003-0029	right footpeg assy
6	904001-0001	hinge pin
7	407001-0014	footpeg spring
8	904002-0002	cotter pin
9	903002-0004	washer
10	506001-0011-02	FOOTPEG MOUNTING BRACKET
11	554000-0002	side stand
12	407002-0001	side stand spring
13	903020-0001	bolt
14	903002-0011	washer
15	903006-0005	nut



化油器组件

1

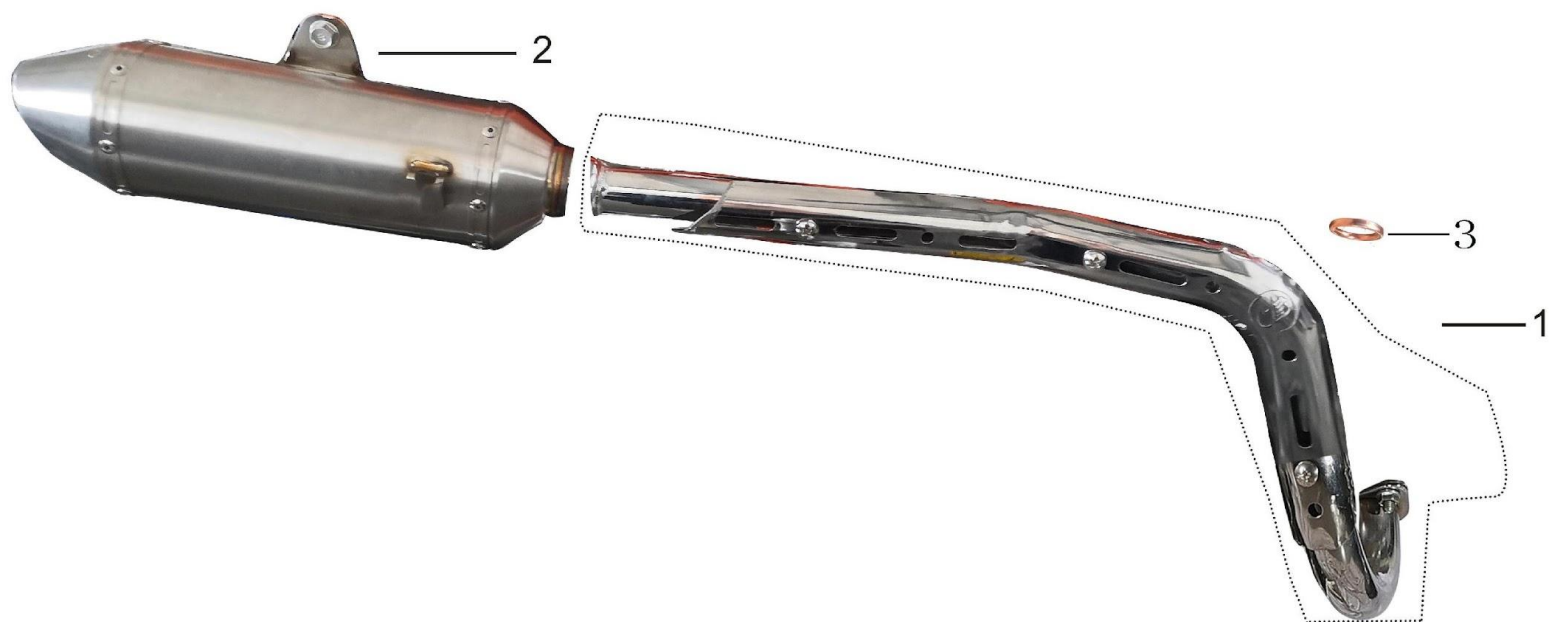
102000-0003

carburetor

2

105000-0027

air filter



消音器组件

1	106001-0096	exhaust pipe
2	106002-0038	muffler
3	106003-0002	gasket



电器件组件

1	309001-0135	main cable
2	312001-0044	battery
3	555000-0179	battery pack upper plate
4	314001-0003-03	electric lock
5	303001-0001	CDI
6	306001-0001	ignition coil
7	302001-0002	regulator

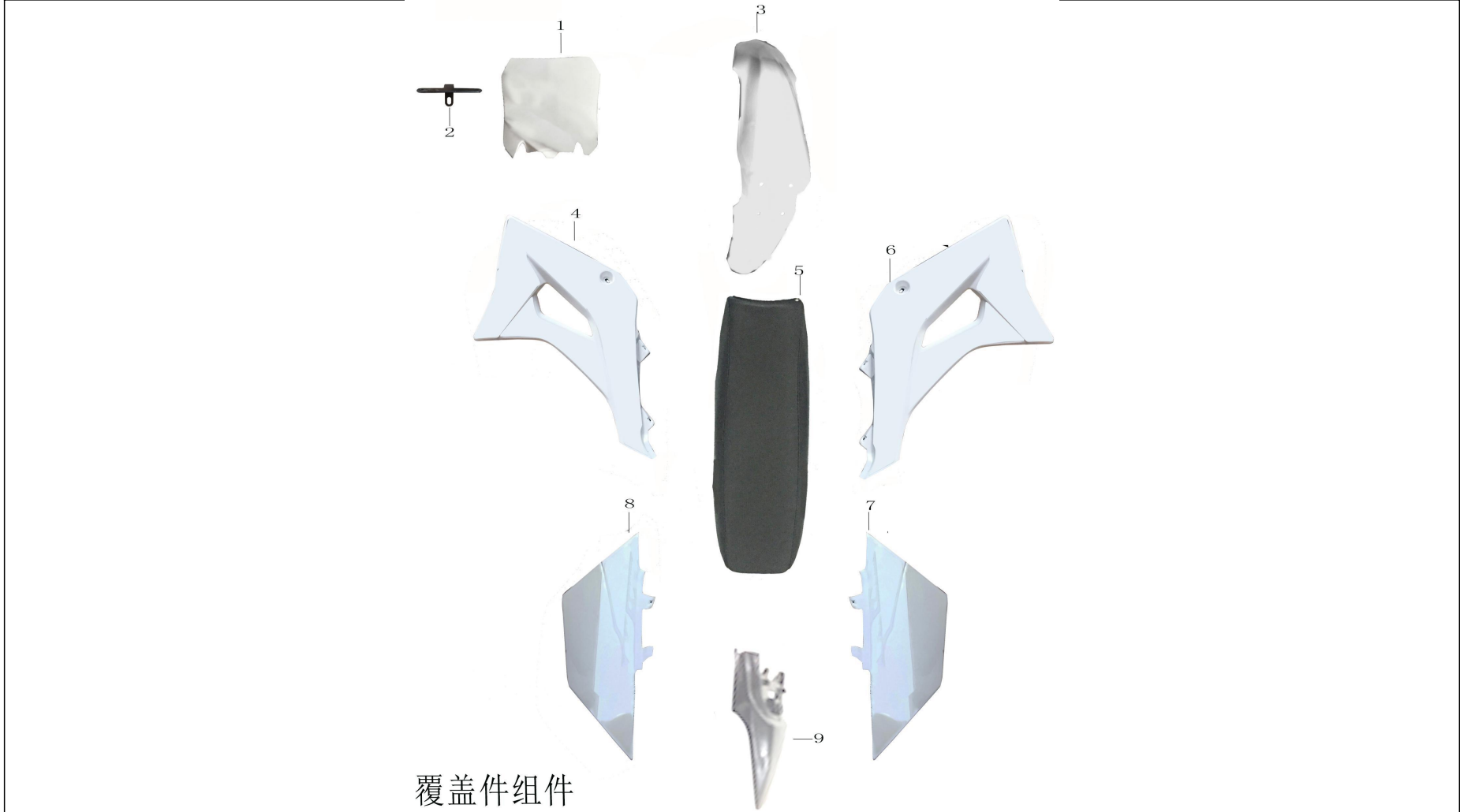
8	301001-0001	relay
9	555000-0180	battery pack



油箱组件

1	805001-0001	fuel tank assy.
1-1	805003-0003	fuel tank cover
1-2	805004-0005	petcock

2	805005-0001-06	One-way air valve
---	----------------	-------------------



1	801016-0006	Front Panel
2	555000-0137	panel bracket
3	801016-0007	front mud guard

4	801016-0001	front left cover
5	701000-0046	seat assy.
6	801016-0002	Front right cover
7	801016-0004	rear right cover
8	801016-0003	rear left cover
9	801016-0005	rear center cover



GNZ1000-132 513胶

1	802018-0115	sticker
2	802018-0116	padding cover