

No.

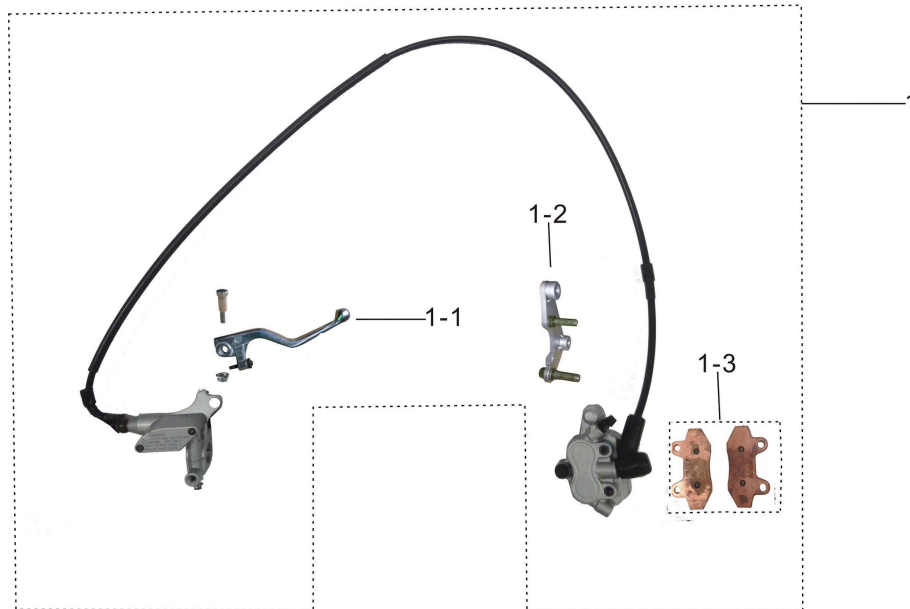
U8 CODE

EN name



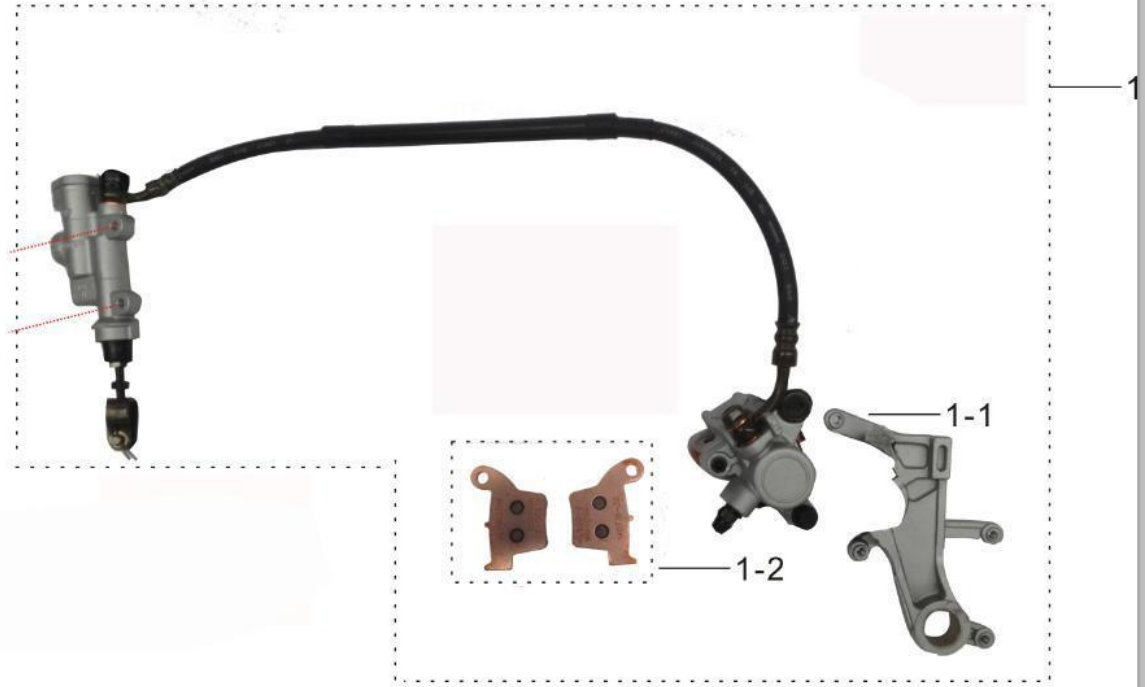
方向把组件

1	602006-0019	right grip
2	602012-0001	throttle perch tube
3	602011-0003	throttle perch
4	602017-0005	handle bar foam
5	602007-0020	clutch lever assy
6	602007-0016-02	Clutch handle induction wire
7	313003-0013	stop switch
8	602006-0018	left grip
9	602013-0018	clutch cable
10	602014-0018	throttle cable
11	602002-0021	aluminum handle bar
12	313002-0005	start switch
13	602015-0008	choke cable

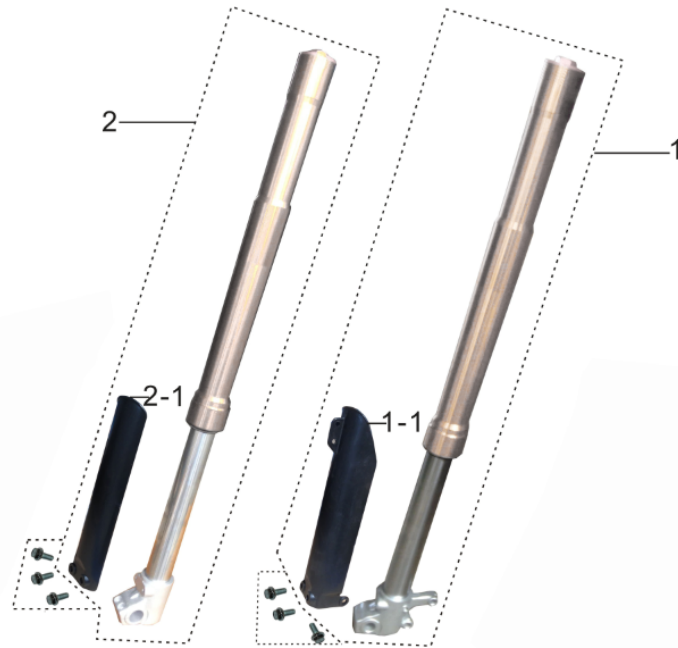


前制动组件

1	404000-0110	front brake assy
1-1	404002-0024	brake lever
1-2	404008-0004	front brake bracket

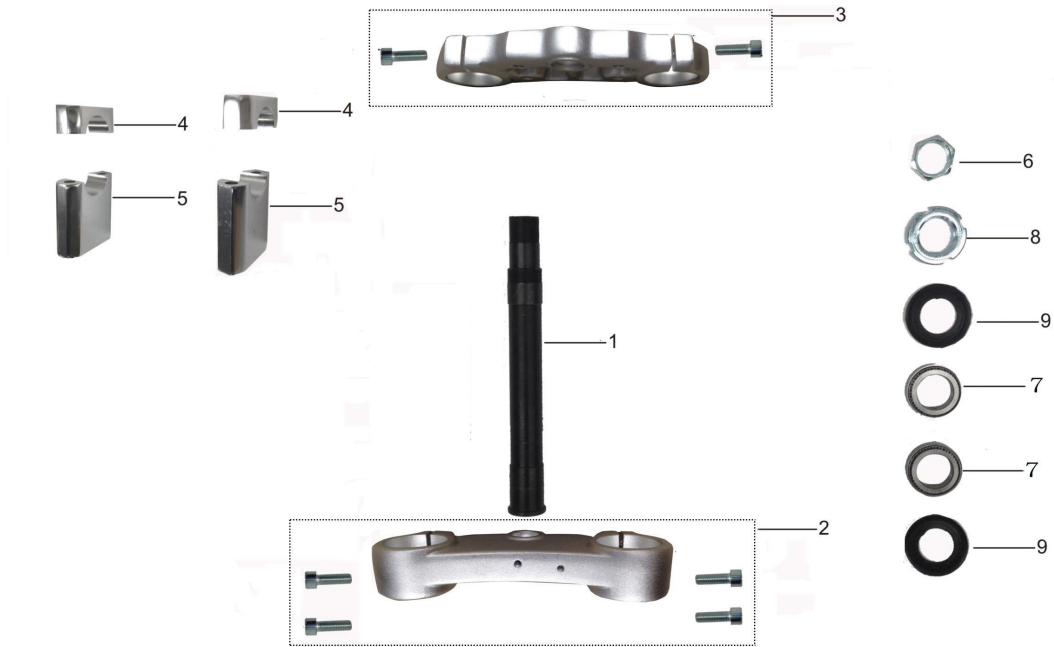


后制动组件



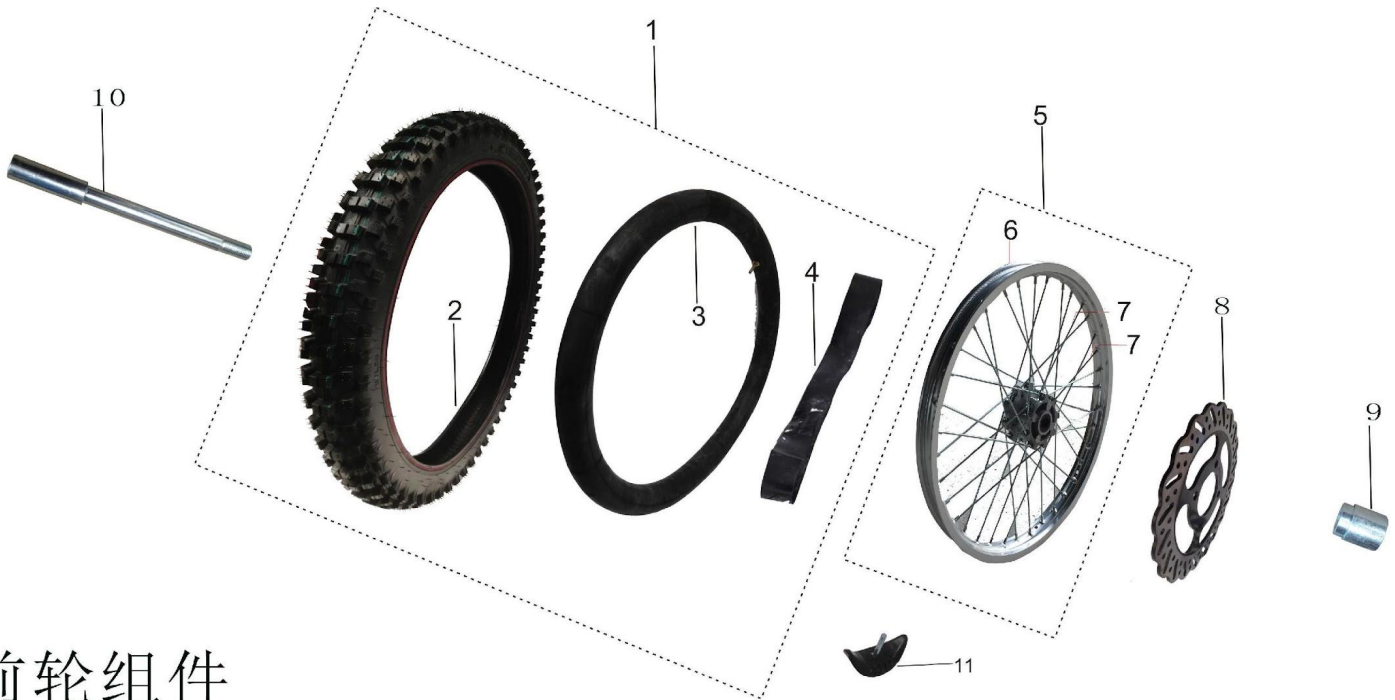
前减总成

1	405000-0073	rear brake assy.
1-1	405009-0013	rear bracket
1-2	405008-0015	rear brake pad
1	501000-0047	non-adjustable left front fork
1-1	501001-0003	front left protector
2	501000-0048	non-adjustable right front fork
2-1	501001-0004	front right protector



联板组件

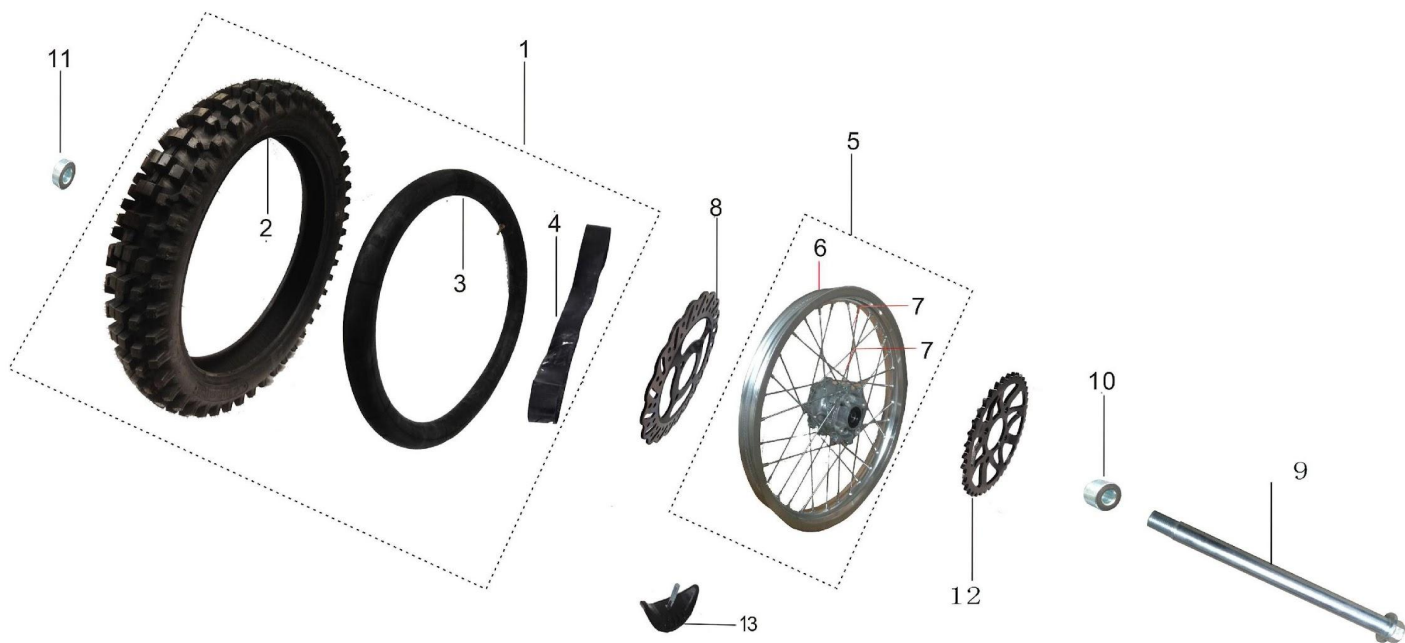
1	601006-0015	steering column
2	601002-0006-02	lower clamp
3	601001-0006-02	upper clamp
4	601003-0002-03	upper raiser
5	601004-0003-03	lower raiser
6	601005-0002	nut
7	907002-0008	bearing
8	601005-0006	locking nut
9	601005-0010	dust seal



前轮组件

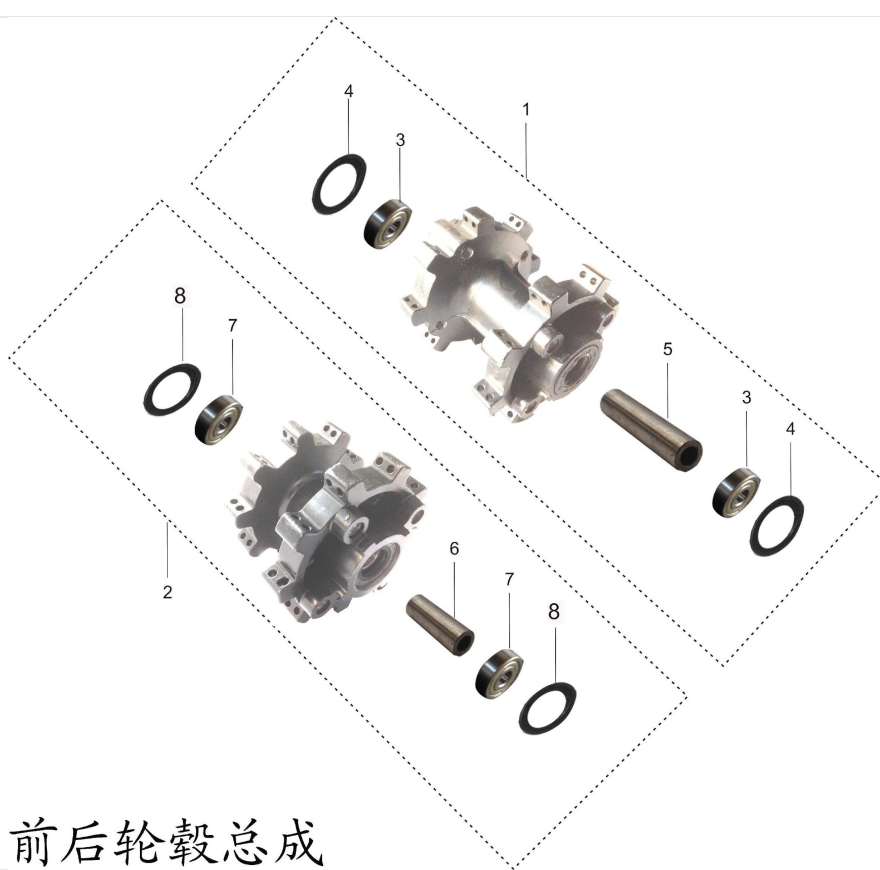
1	401005-0013	front tire tube rim strip set
2	401006-0011	front tyre
3	401007-0006	inner tube

4	401008-0007	lining belt
5	401000-0069	front rim assy
6	401001-0009	aluminum rim
7	401004-0012	spoke
7	401004-0012	spoke
8	404001-0011	front brake disc
9	902002-0039	bush
10	901002-0007	Inner hexagon reducing shaft
11	401010-0004	rim lock



后轮组件

1	402005-0015	rear tire tube assembly
2	402006-0008	rear tyre
3	402007-0005	inner tube
4	401008-0005	lining belt
5	402000-0077	rear rim assy
6	402001-0015	aluminum rim
7	402004-0016	spoke
7	402004-0015	spoke
8	405001-0005	rear brake disc
9	901001-0033	flange axle
10	902001-0063	busher
11	902001-0073	busher
12	205001-0022	steel rear sprocket
13	401010-0005	rim lock



前后轮毂总成

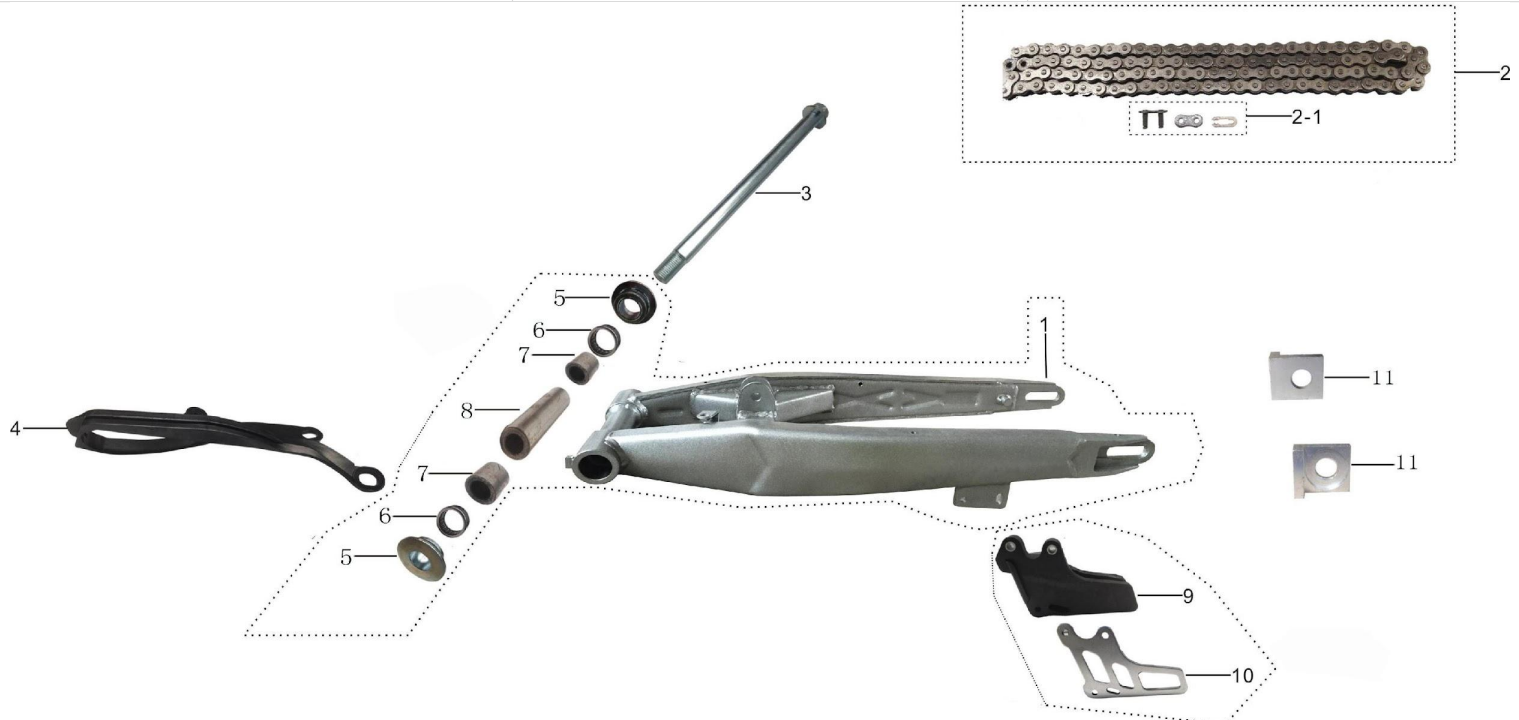
1	401003-0015	front hub assy
2	402003-0019	rear hub assy
3	907001-0020	bearing
4	908001-0009	oil seal
5	902001-0099	bush
6	902001-0100	bush
7	907001-0018	bearing
8	908001-0017	oil seal



车架组件

1	551000-0065-01	frame assy.
---	----------------	-------------

	552000-0031-01	sub frame assy.
2	903008-0014	nut
3	908003-0007	rubber washer
4	555000-0104	engine front mounting plate
5	203004-0016	chain roller
6	555000-0107	front right/left cover bracket



平叉组件

1	553000-0016-01	steel swing arm
2	203000-0072	chain
2-1	203001-0006	chain clip
3	901001-0038	flange axle
4	203004-0018	chain slider
	902002-0040	bush
5	908005-0004	O ring
6	907002-0004	bearing
7	902001-0078	bush
8	902001-0082	bush
9	203004-0001	chain guide
10	203004-0002	
11	203002-0001-06	alloy chain adjuster

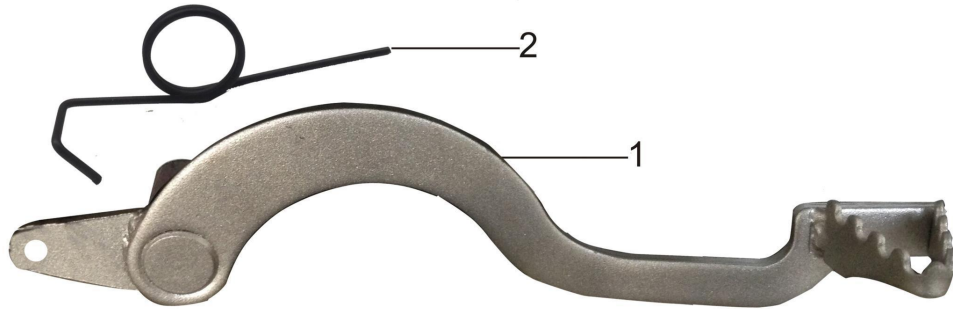


后减震组件

1

502000-0036-02

rear shock assy.



刹车踏板组件

1

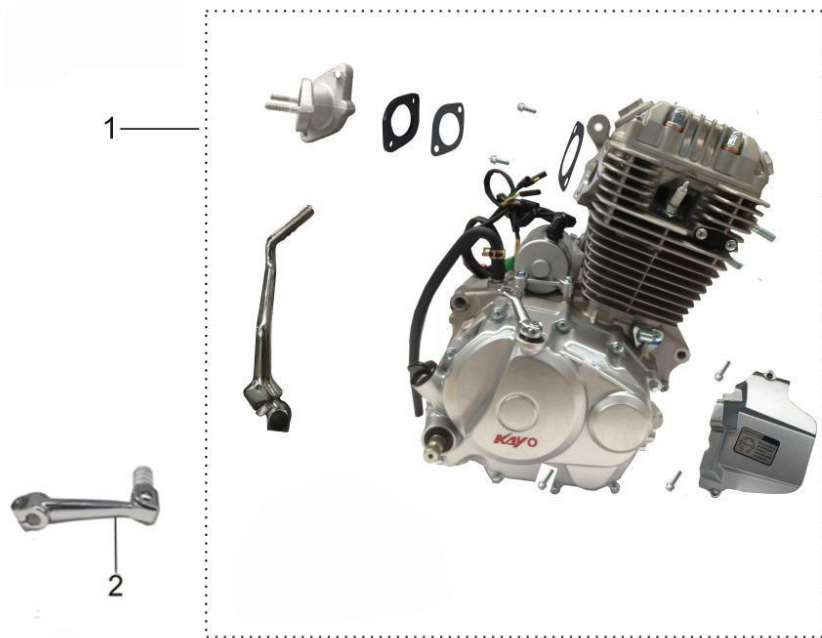
406001-0010-03

brake pedal

2

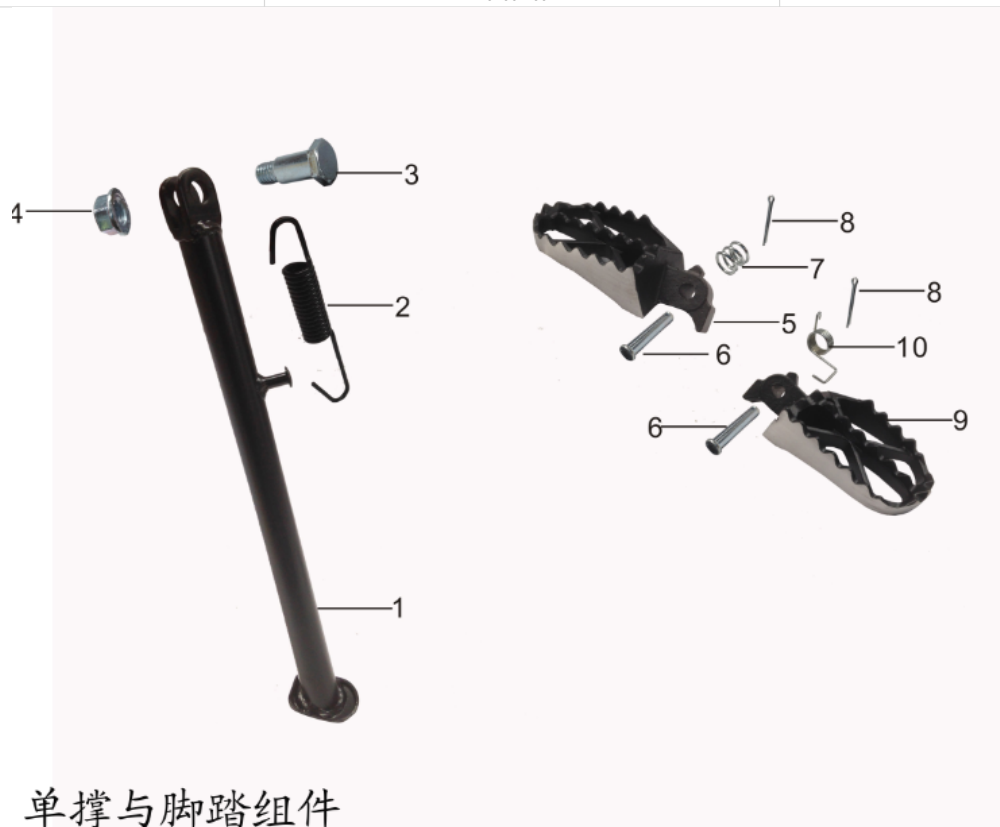
407003-0006

rear brake spring



发动机组件

1	101000-0436-02	engine assy.
2	201002-0024	gear shift lever



单撑与脚踏组件

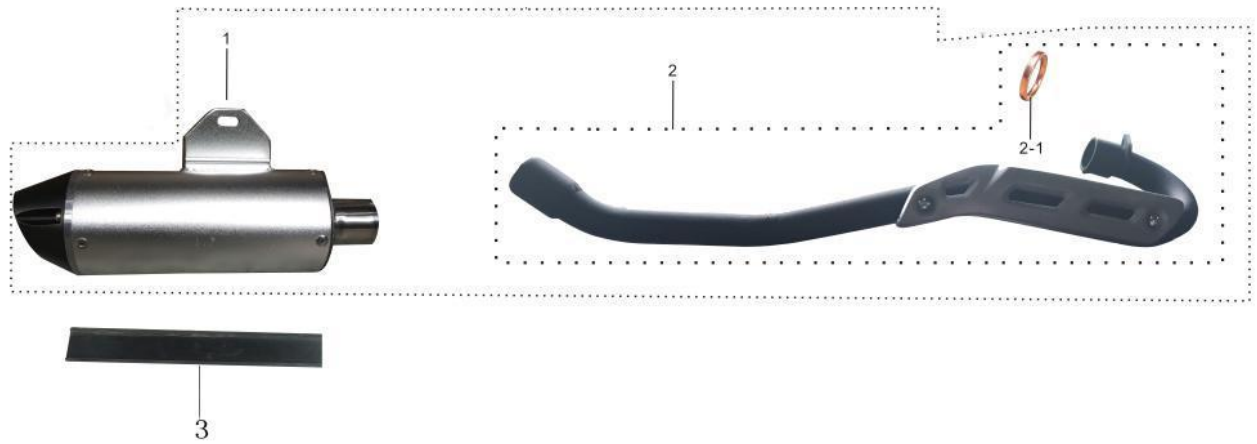
1	554000-0038	side stand
2	407002-0001	side stand spring
3	903020-0002	bolt
4	903007-0007	nut
5	506003-0011	right footpeg assy.
6	904001-0002	hinger pin

7	407001-0001	strong spring
8	904002-0002	cotter pin
9	506003-0009	left footpeg
10	407001-0008	left footpeg spring



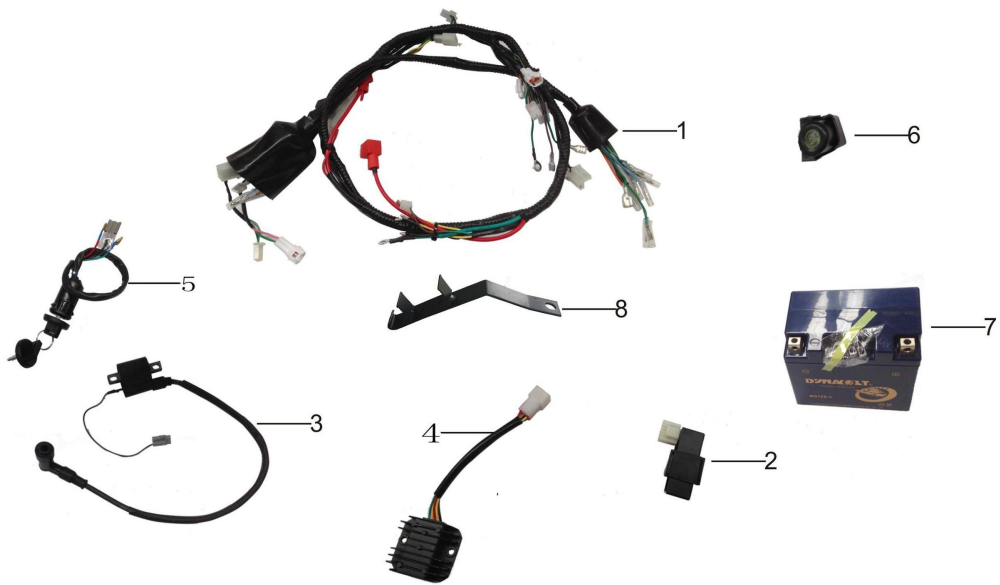
化油器与空滤器组件

1	102000-0051	carburetor
2	105003-0010	air inlet rubber pipe
3	906001-0004	clamp
4	105003-0012	air inlet pipe
5	105004-0002	press plate
6	105002-0005	sponge
7	903020-0007	bolt
8	105004-0003	sponge bracket
9	105004-0001	press plate



消音器组件

1	106002-0011	muffler
2	106001-0027	exhaust pipe
2-1	106003-0001	muffler pipe seal gasket

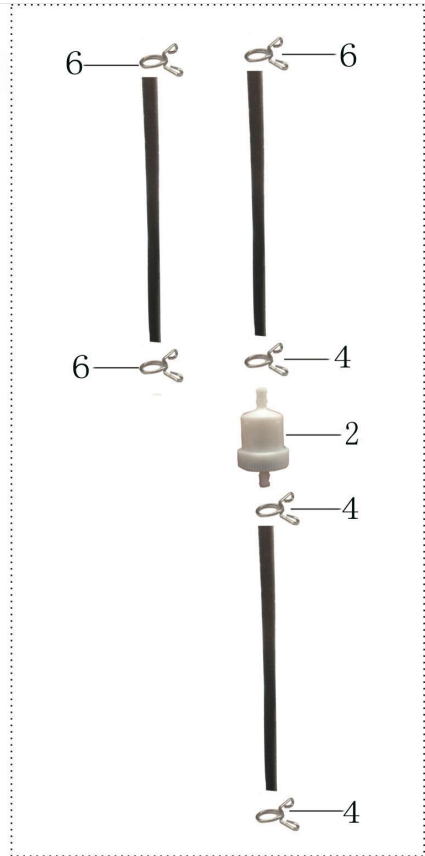


电器组件

1	309001-0105	main cable
2	303001-0004	CDI
3	306001-0011	ignition coil
4	302001-0009	voltage regulator
5	314001-0012	electric lock
6	301001-0004-02	relay
7	312001-0027	battery (gtz7s) 12v 6.5ah
8	315012-0007	battery bracket



油箱组件

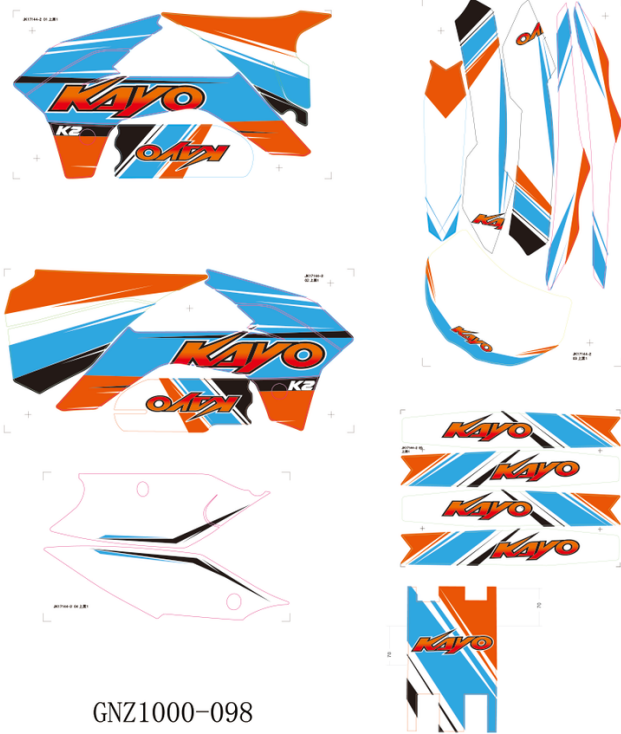


1	805001-0009	fuel tank assy.
2	108001-0001	fuel filter
3	805003-0004	fuel tank cover
4	906002-0001	pipe clip
5	805004-0001	petcock
6	906002-0005	pipe clip
1	801009-0001	front mud guard
2	801009-0003	front left cover (upper)
3	801009-0004	front left cover (center)
4	801009-0005	front left cover (lower)
5	801009-0006	front right cover (upper)
6	801009-0007	front right cover (center)
7	801009-0008	front right cover (lower)
8	801009-0011	rear right cover assy.
9	801009-0009	rear left cover (upper)
10	801009-0010	rear left cover (lower)
11	801009-0012	rear right/left cover
12	801009-0013	rear fender
13	801009-0014	Mud Flap
14	701000-0012	seat assy.



前大灯组件

1	308001-0005	headlight assy.
2	315008-0007	upper bracket
3	315008-0009	lower bracket



GNZ1000-098

1	802009-0038	sticker
2	802009-0039	padding cover