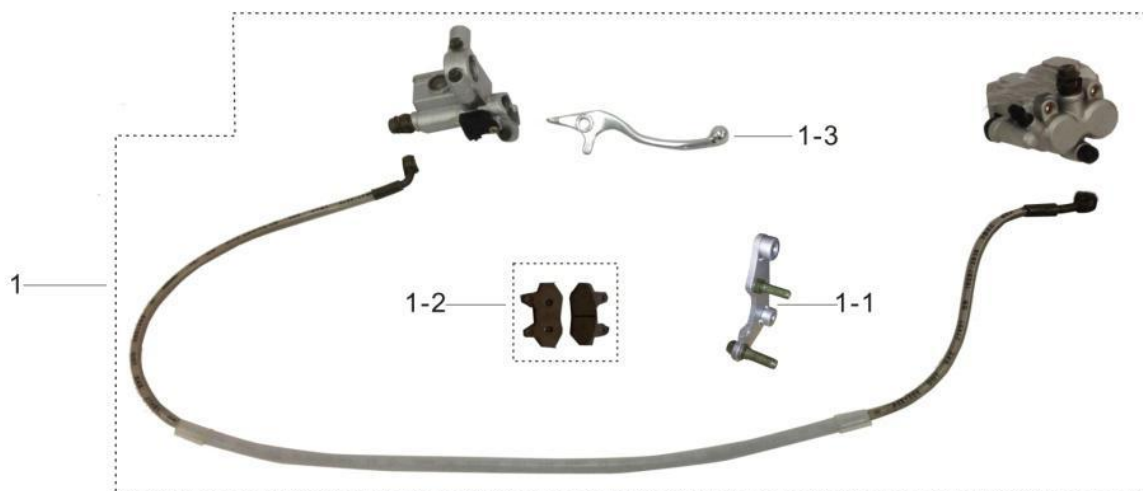




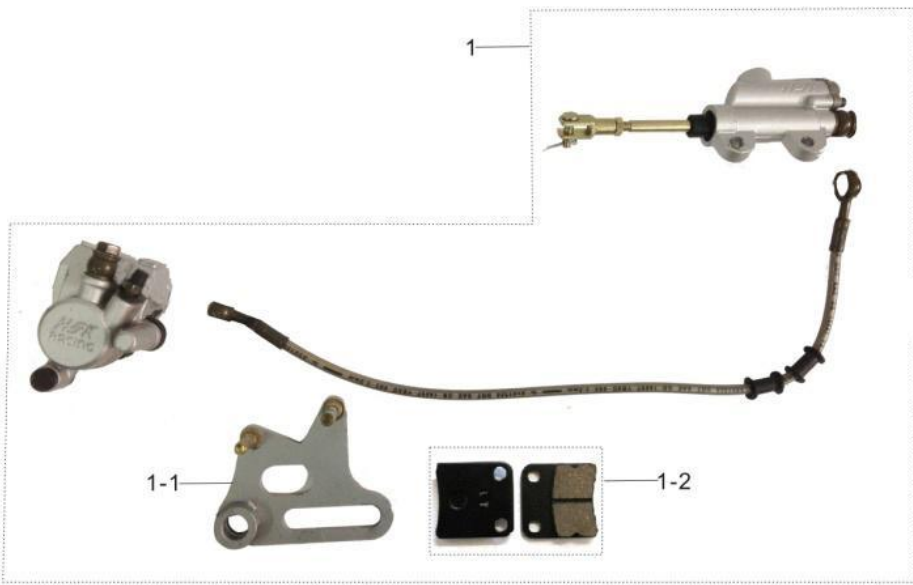
方向把组件

1	602006-0004-02	Right grip
1-1	602012-0002	throttle perch tube
1-2	602006-0005-02	Right grip
2	602014-0010	throttle cable
3	602011-0003	throttle perch
4	602017-0002	handle bar foam
5	602001-0002	steel handle bar
6	602007-0024-02	clutch lever assy
7	313003-0015	stop switch
8	602006-0003-02	left grip
9	602013-0009	clutch cable



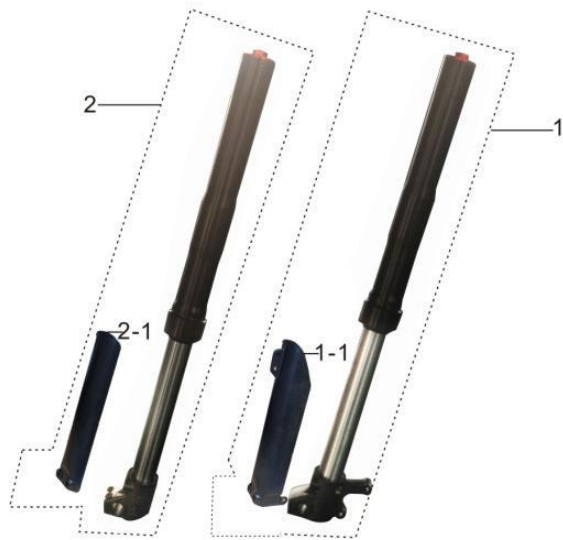
前制动总成

1	404000-0028	front brake assy
1-1	404008-0001	front brake bracket
1-2	404007-0004	front brake pad
1-3	404002-0007	unfolding brake lever



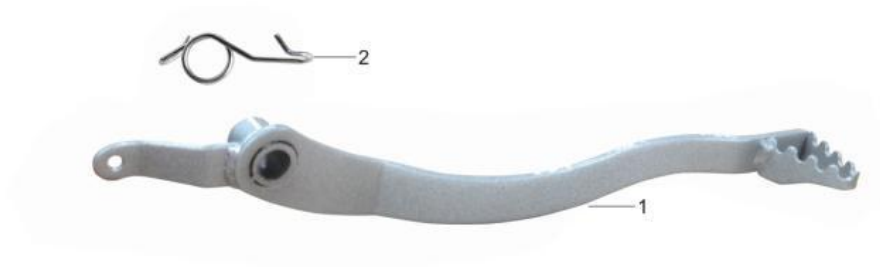
后制动总成

1	405000-0010	rear brake assy
1-1	405009-0004	rear brake bracket
1-2	405008-0001	rear brake pad



前减震组件

1	501000-0017	front left shock
1-1	501001-0009	front left shock guard plate
2	501000-0018	front right shock
2-1	501001-0010	front right shock guard plate



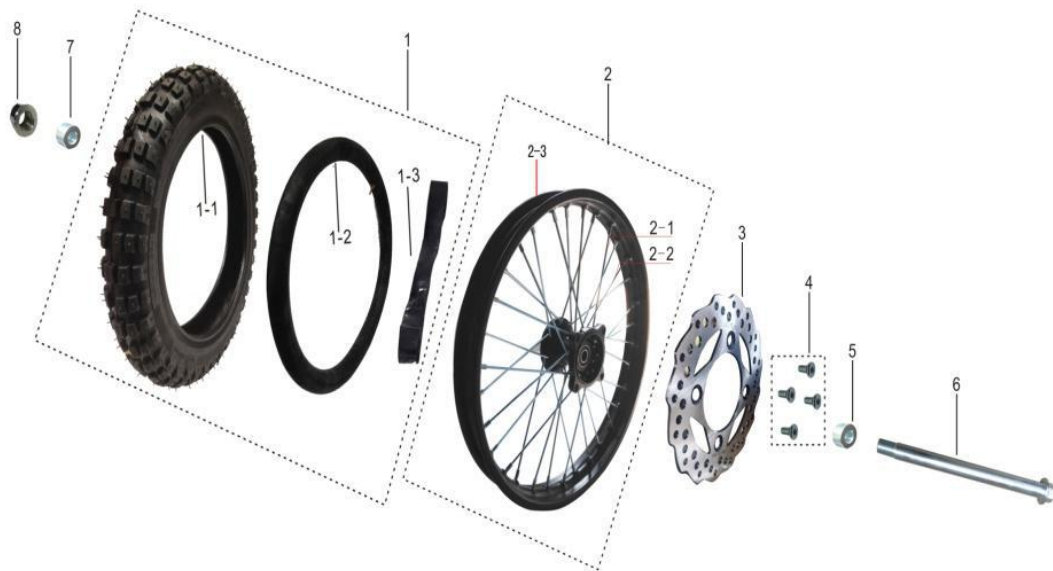
刹车踏板组件

1	406001-0017-02	brake pedal
2	407003-0005	rear brake spring



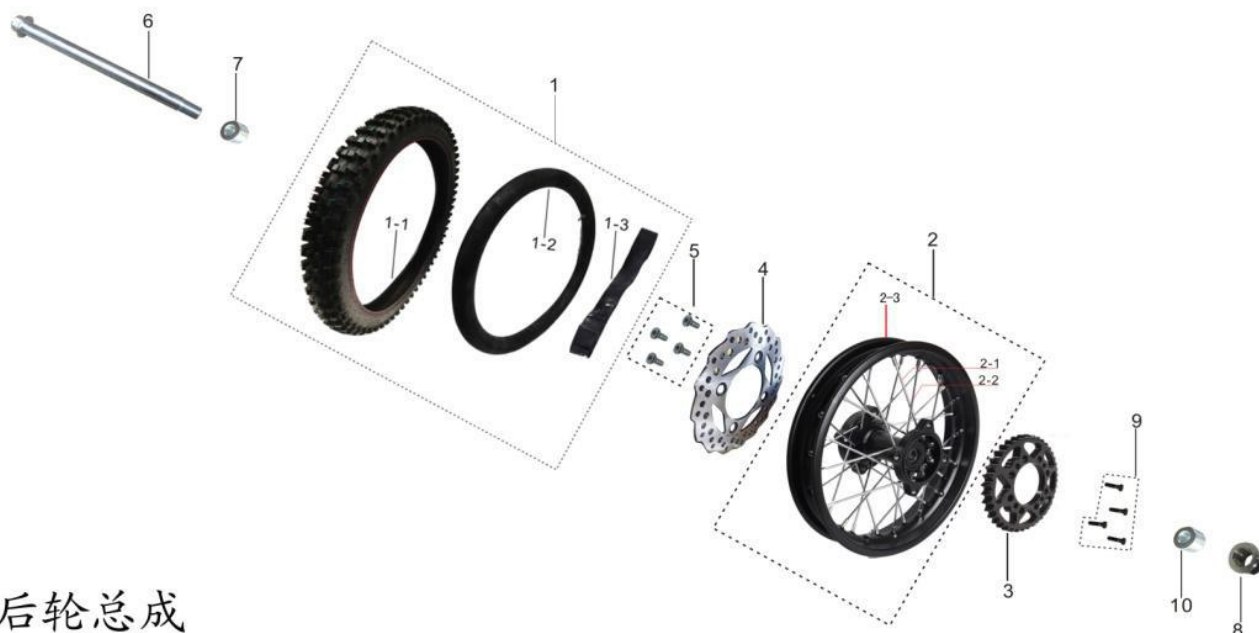
联板总成

1	601006-0025	steering column
2	601002-0022	lower clamp
3	601001-0026	upper clamp
4	601004-0022	lower raiser
5	601003-0017	upper raiser
6	601005-0001	nut
7	601005-0012	washer
8	601005-0008	dust seal
9	907002-0007	bearing



前轮总成

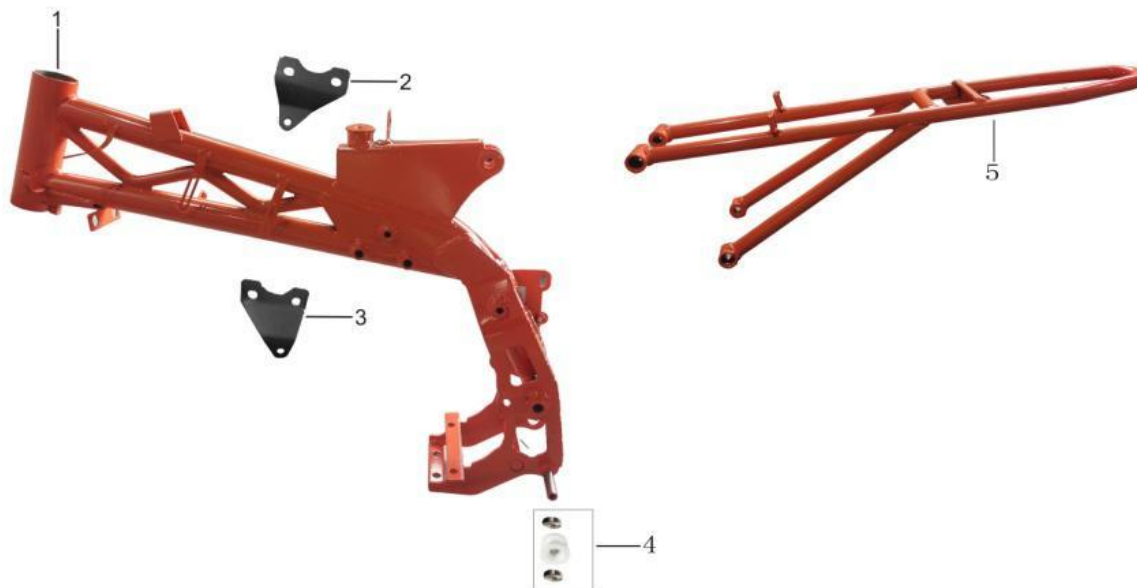
1	401005-0038	tire/tube assembly
1-1	401006-0048	front tyre
1-2	401007-0010	inner tube
1-3	401008-0002	lining belt
2	401000-0011-03	front rim assy
2-1	401004-0005	spoke
2-2	401004-0006	spoke
2-3	401002-0002	steel rim
3	404001-0020	front brake disc
4	404011-0001	bolt
5	902001-0067	busher
6	901001-0029	flange axle
7	902001-0062	busher
8	903007-0009	nut



后轮总成

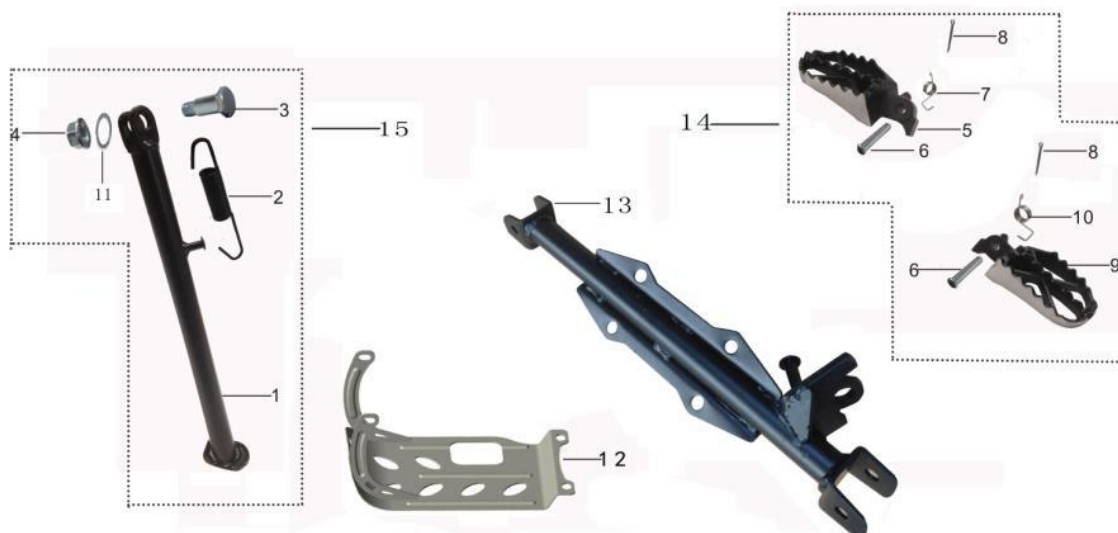
1	402005-0038	rear tire assembly (tire,tube,liner)
1-1	402006-0039	rear tyre
1-2	402007-0006	inner tube
1-3	401008-0001	lining belt
2	402000-0017-03	rear rim assy
2-1	402004-0004	spoke
2-2	402004-0005	spoke
2-3	402002-0001	steel rim
3	205001-0036	steel rear sprocket
4	405001-0018	rear brake disc
5	404011-0001	bolt
6	901001-0033	flange axle

7	902001-0071	busher
8	903007-0009	nut
9	903014-0006	screw
10	902001-0066	busher



车架组件

1	551000-0111-03	frame assy.
2	555000-0030-03	CRF/KLX right mounting point
3	555000-0029-03	CRF/KLX left mounting point
4	203004-0013	chain roller
5	552000-0001-05	sub frame assy.



单撑与脚踏组件

1	554000-0011-02	side stand
2	407002-0001	side stand spring
3	903020-0001	bolt
4	903006-0005	nut
5	506003-0013-01	right footpeg assy.

6	904001-0001	hinger pin
7	407001-0007	right footpeg spring
8	904002-0002	cotter pin
9	506003-0012-01	left footpeg assy.
10	407001-0006	left footpeg spring
11	903002-0011	gasket
12	109001-0008-02	steel plate
13	903020-0016	
14	C90002-0015	cast steel footpeg assy
15	C90002-0024	In-line single support assy



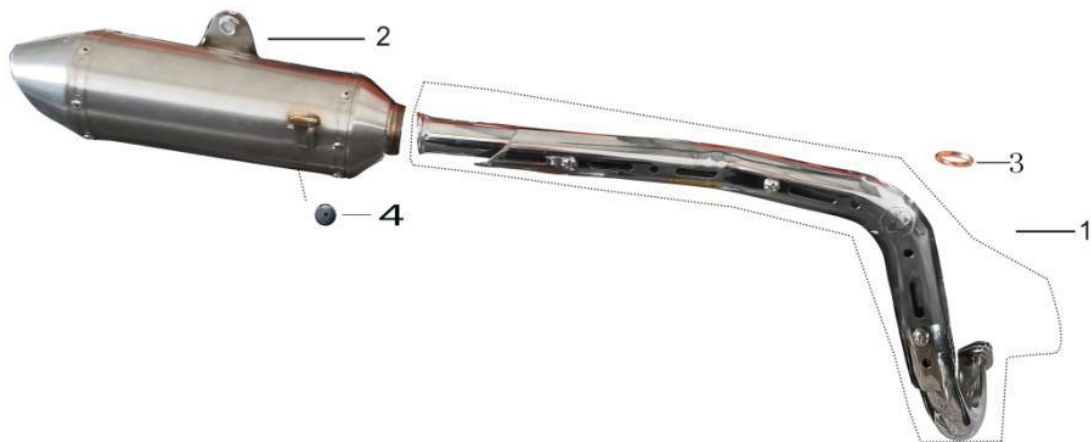
发动机总成

1	101000-0540	engine assy.
---	-------------	--------------



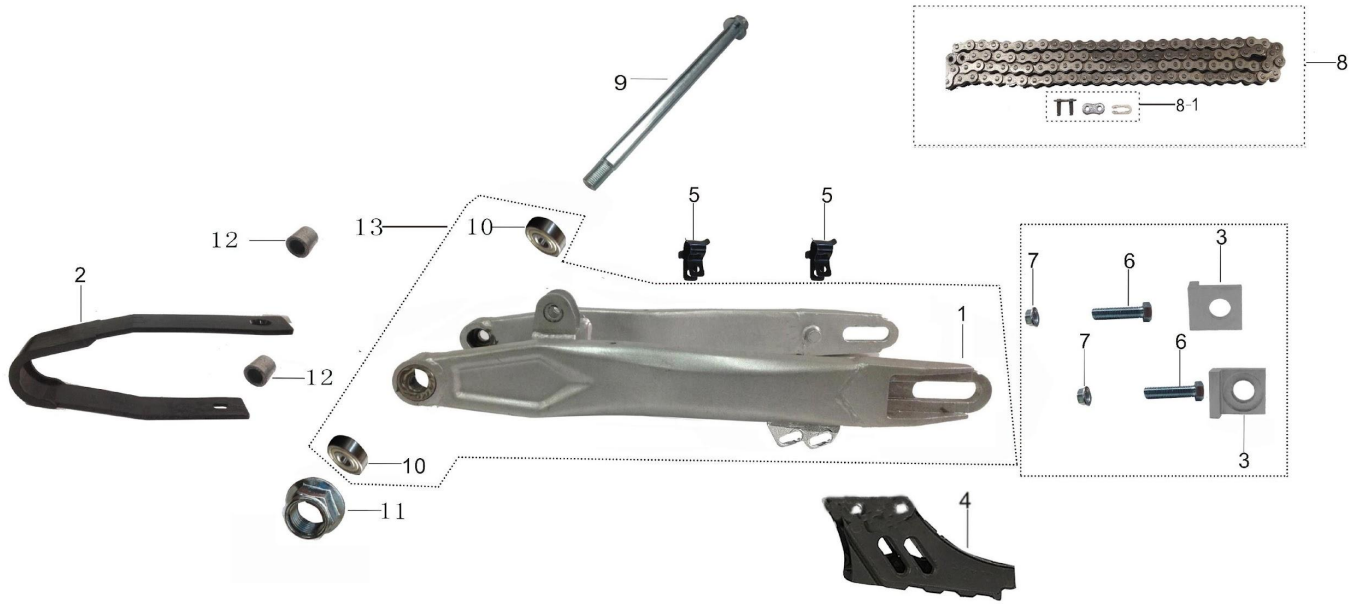
化油器与空滤器组件

1	102000-0045	carburetor
2	105000-0022	sponge air filter



消音器总成

1	106001-0098	exhaust pipe
2	106002-0038	muffler
3	106003-0002	muffler pipe seal gasket
4	908007-0052	muffler heat-proof string



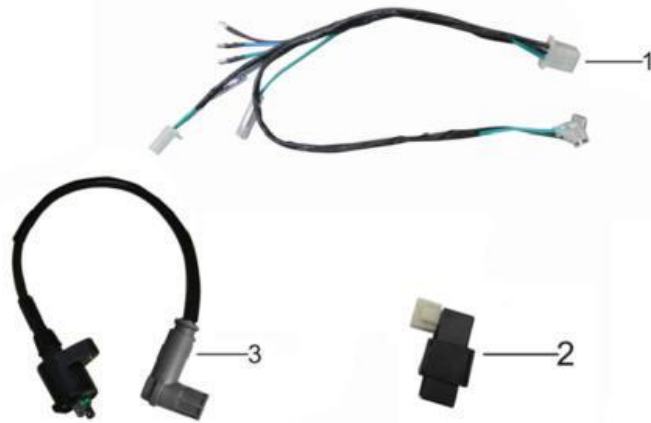
平叉总成

1	553000-0060	steel swing arm
2	203004-0031	chain slider
3	203002-0001-06	alloy chain adjuster
4	203004-0036-01	chain guide
5	405010-0003	oil pipe clip
6	903017-0007-03	bolt
7	903005-0006	nut
8	203000-0065	chain
8-1	203001-0004	chain clip
9	901001-0005	flange axle
10	907001-0014	bearing
11	903007-0006	nut
12	902001-0035	busher
13	C90002-0025	In-line Swing arm assy.



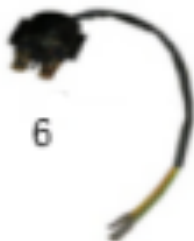
后减组件

1	502000-0015	rear shock assy.
---	-------------	------------------

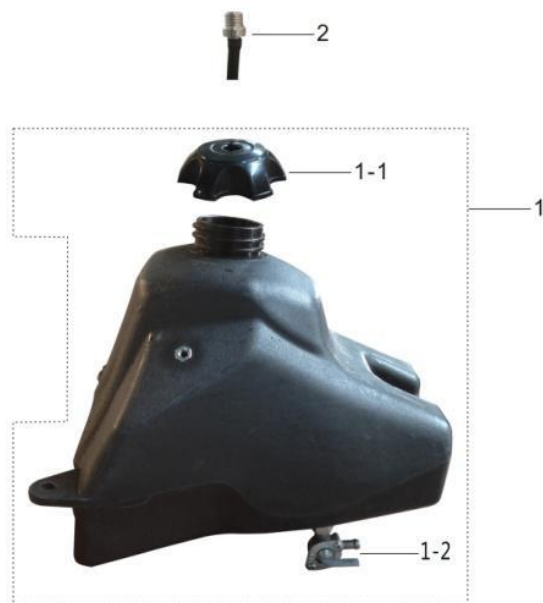


电器组件

1	309001-0023	main cable
2	303001-0001	CDI



5	302001-0002	Voltage regulator
6	301001-0001	Relay
7	314001-0003-03	Electric key
8	312001-0044	Battery
9	908007-0021	Battery belt
	555000-0009	Battery Box



油箱组件

1	805001-0001	fuel tank assy.
1-1	805003-0003	fuel tank cover
1-2	805004-0005	fuel tank cover
2	805005-0001-06	One-way air valve



覆盖件组件

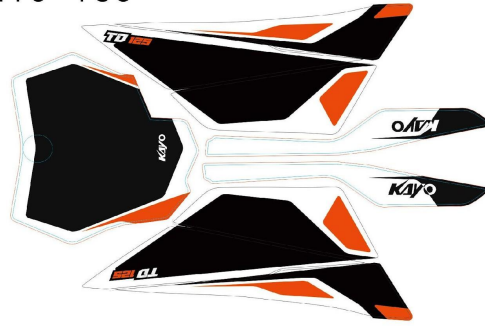
1	801019-0002-02	front panel
2	801016-0005	rear center cover
3	801019-0003-02	front mud guard
4	801016-0001	front left cover
5	701000-0003-03	seat assy.
6	801016-0002	front right cover
7	801016-0004	rear right cover
8	801016-0003	rear left cover



215*185



- BLACK
- PANDONE 12C
- SILVER



GNZ1000-139 513胶

1	802018-0122	sticker
2	802018-0121	sticker
3	802018-0116	padding cover