
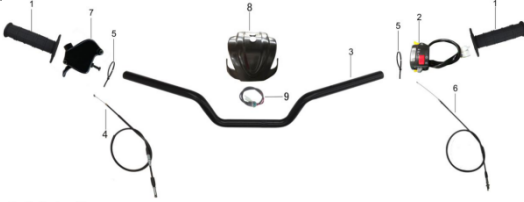



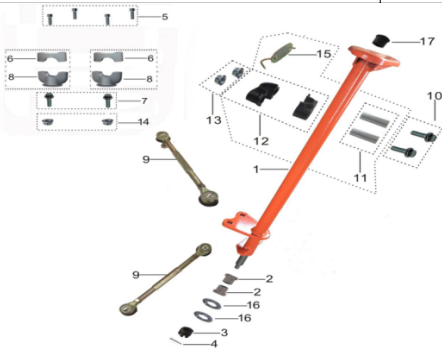



KAYO USA

STORM 150

NO.	TX Warehouse No.	Description
		
 <p data-bbox="548 714 636 735">方向把组件</p>		
1	602006-0015	black bar grip
2	313001-0008	multi-function switch
3	602001-0015	handle bar
4	602014-0001	throttle cable
5	906003-0002	plastic belt
6	602015-0001	choke cable
7	602011-0008	accelerator
8	803003-0005-01	black plastic plate
		black plastic plate(old round holes)
9	316005-0002	gear display plug-in
 <p data-bbox="662 1161 727 1182">前制动总成</p>		
1	404000-0085	front brake assy.
	404000-0130	NEW 2020+ front brake assy
1-1	404007-0012	front brake pads
1-2	404008-0010	front brake bracket
1-3	404002-0018	front brake lever
1-4	404003-0006	front brake upper pump assy.
1-5	404005-0013	front brake oil pipe assy.
1-6	404006-0012	front brake bottom pump assy.
2	903019-0014-02	flange bolt
3	903007-0004-02	flange locknut
4	903013-0022	flange bolt
5	903001-0003	spring washer
6	903002-0004-02	flat washer
	404011-0014	front brake switch
 <p data-bbox="589 1770 670 1791">后制动总成</p>		
1	405000-0057	rear brake assy.
1-1	404007-0012	rear brake pad
1-2	405009-0007	rear brake bracket
1-3	405006-0012	rear brake oil pipe assy
1-4	405007-0014	REAR brake bottom pump assy.
1-5	405004-0012	REAR brake upper pump assy.
2	903019-0014-02	flange bolt

STORM 150

NO.	TX Warehouse No.	Description
3	903006-0002-02	flange nut
4	903018-0005-02	flange bolt
 <p>前减总成</p>		
1	501000-0062	front fork
2	903018-0032	flange bolt
3	903007-0006	flange locknut
 <p>转向柱组件</p>		
1	566000-0003-02	front steering column orange
	566000-0003-01	front steering column black
2	902002-0031	bush
3	903008-0009	slotted nut
4	904002-0002-02	cotter pin
5	903013-0021-02	screw
6	601003-0004	silvery upper raiser
7	903017-0011	bolt
8	601004-0005	silvery lower raiser
		handlebar clamp set (5-8)
9	603001-0007	front steering pull rod
10	903018-0016	flange bolt
11	902001-0015	raiser bush
12	601004-0017	steering column raiser
13	903007-0004-02	flange locknut
14	903007-0007	flange locknut
15	601004-0018	raiser plate
16	903003-0003	flat washer
17	908004-0004	axle plug
 <p>前轮总成</p>		
1	401006-0028	front tire
1-1	401006-0043	front tire-new tread pattern
2	401003-0013	front hub
3	401000-0062	front rim
4	404001-0015	front brake disc
	903002-0013-02	FLAT WASHER
5	903008-0011	slotted nut
6	904002-0006-02	cotter pin
7	908007-0003	rear axle dust cap
8	903014-0001	screw



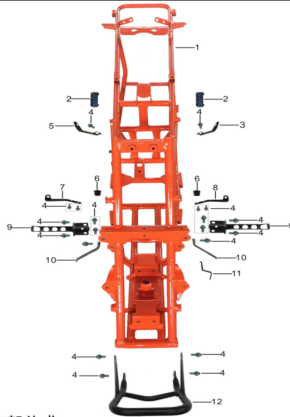
STORM 150

NO.	TX Warehouse No.	Description
9	603002-0012	right steering knuckle
10	603002-0011	left steering knuckle
11	903007-0006	flange locknut
12		front tire with rim(left/right)
	401012-0025	front tire with rim NEW TREAD PATTERN
		rubber valve stem



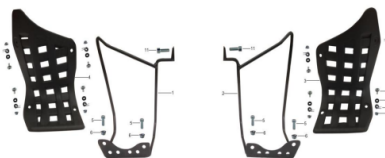
后轮总成

1	402006-0021	rear tire
1-1	402006-0032	rear tire-new tread pattern
2	904002-0006-02	cotter pin
3	402000-0066	rear rim
4	908007-0003	rear axle dust cap
5	903008-0012	slotted nut
6	903018-0029	flange bolt
7	903001-0005	spring washer
8	903002-0008	flat washer
9	505002-0002	rear axle dust washer
10		rear tire with rim(left/right)
		rear tire with rim(left/right)-New tread Pattern



车架总成

1	561000-0005-02	frame orange
2	908007-0020	rubber block
3	568000-0022	left mount plate
4	903019-0012-02	flange bolt
5	568000-0023	right mount plate
6	908007-0015	rubber column
7	568000-0021	mount plate(right)
8	568000-0020	mount plate(left)
9	567000-0001/406001-0029	brake pedal / FOOT PEG
10	568000-0019	mount plate
11	568000-0018	fix plate
12	704000-0007-01	bumper
	A150UEMC	upper engine mount/ 150cc atv engine mount fixing clamp



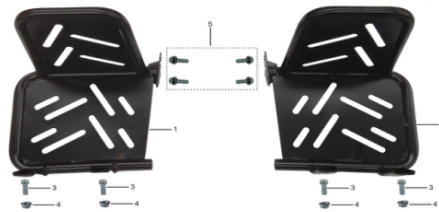
左右脚踏板组合



STORM 150

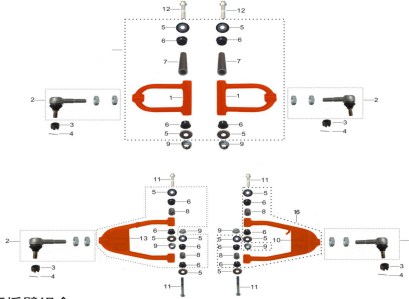
NO.	TX Warehouse No.	Description
1	568000-0032	right brake pedal tray bracekt
2	568000-0031	left brake pedal tray bracekt
3	803003-0006	left plastic foot pedal
4	803003-0007	right plastic foot pedal
5	903013-0017-02	screw
6	903007-0004-02	flange locknut
7	903012-0007-02	bolt
8	908003-0002	rubber flat washer
9	908007-0005	hoop
10	903007-0002-02	flange locknut
11	903019-0011-02	screw

未标注零部件同7.8.9.10



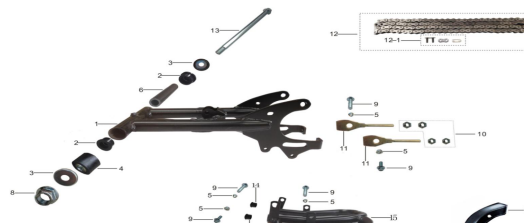
脚踏护板组合

1	567000-0002-01	left foot pedal tray
2	567000-0003-01	right foot pedal tray
3	903013-0017-02	screw
4	903007-0004-02	flange locknut
5	903019-0012-02	flange bolt





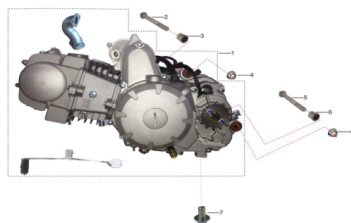

上下摇臂组合


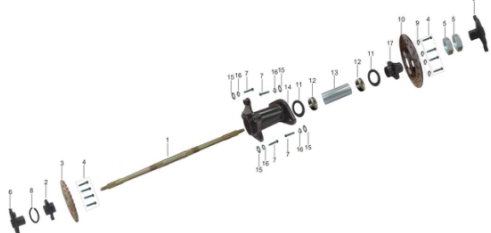


1	565000-0007-02	upper linkage ORANGE
	565000-0007-01	Upper linkage BLACK
2	603003-0001	linkage ball head
3	903008-0010	slotted nut
4	904002-0002-02	cotter pin
5	908007-0006	seal gasket
6	902002-0029	linkage bush
7	902001-0028	linkage bush
8	902001-0026	linkage bush
9	903007-0006	flange locknut
10	565000-0008-02	left lower linkage orange
10-1	565000-0008-01	left lower linkage black
11	903018-0035	flange bolt
12	903018-0038	flange bolt
13	565000-0009-02	right lower linkage orange
	565000-0009-01	right lower linkage black





STORM 150

NO.	TX Warehouse No.	Description
		
后平叉总成		
1	563000-0004-01	black swing arm
2	902002-0028	bush
3	908007-0002	dust seal
4	203004-0025	chain slider
5	903007-0004-02	flange locknut
6	902002-0025/902002-0028	swing arm bush
7	203004-0027	chain guard
8	903007-0009	flange locknut
9	903019-0013-02	flange bolt
10	903005-0007-02	nut
11	203003-0004	chain adjuster
12	203000-0063	KMC chain 428Hx98pin
12*1	203001-0004	chain connector
13	901001-0024	swing arm axle
14		plug
15	568000-0016	chain support
		
后减震总成		
1	502000-0052	rear shock
2	903018-0033	flange bolt
3	903007-0006	flange locknut
		
发动机总成		
1	101000-0196	YX150 Engine
		ENGINE GASKET SET
2	903018-0028	flange bolt
3	902001-0017	up mount bush
4	903007-0005	flange locknut
5	903018-0021/903018-0022	flange bolt
6	902001-0019	down mount bush under engine
7	903019-0014-02	flange bolt
	201002-0009	gear shift lever
		
油冷器组件		
1	103001-0002-02	Oil cooler
2	903006-0002	Nut
3	103002-0009	Oil cooling pipe A
4	103003-0002	Fixing rubber bushing
5	903019-0006	Bolt
6	103003-0001	Fixing bushing
7	103002-0010	Oil cooling pipe B

NO.	TX Warehouse No.	Description
		
刹车踏板总成		
1	406001-0029	brake pedal
2	407003-0007	brake spring
3	903002-0005-02	flat washer
4	903019-0012-02	flange bolt
		
后桥总成		
1	505001-0006	rear axle
2	205003-0005	rear sprocket base
3	205001-0016	rear sprocket
4	903019-0013-02	flange bolt
5	903008-0017	nut
6	402003-0009	black rear hub
7	903019-0025	flange bolt
8	903004-0002	baffle ring
9	903001-0003	spring washer
10	405001-0013/405001-0019	rear brake disc plate
11	908001-0011	oil seal
12	907001-0011	bearing
13	901003-0011	inner bush
14	564000-0004-01	rear axle base
15	903002-0010	flat washer
16	903001-0006	spring washer
17	205003-0005	rear brake disc base
		
化油器与空滤器总成		
1	102000-0031	Carburetor
2	105000-0020	Air filter
3		carburetor fireproof cover
		



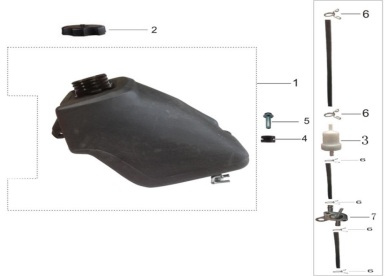
STORM 150

NO.	TX Warehouse No.	Description
		消音器总成
1	106002-0018	muffler
2	106001-0048	exhaust pipe with catalyst
2*1	106003-0002	seal gasket
3	903007-0002-02	flange locknut
4	903019-0013-02	flange bolt
5	106006-0005	secondary gulp valve assy.



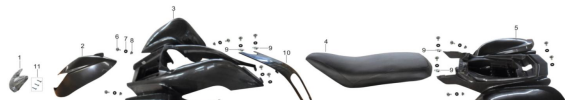
电器组件

1	309001-0069	wire harness
		wire harness old style
2	302001-0007	regulator
3	314001-0002-03	electric lock
4		neutral indicator light
5		reverse indicator light
6	903019-0008-02	flange bolt
7	306001-0011	ignition coil
	306001-0018	ignition coil
8	308002-0004	tail light
9	301001-0004	relay
10	303001-0007-02	CDI
11	903019-0003	flange bolt
12	903007-0002-02	flange locknut
13		flat washer
14	903018-0005-02	flange bolt
15	903019-0008-02	flange bolt
16	312001-0011	battery
17	315012-0001	battery fix
18	308006-0007	reflector
19	316005-0002	gear indicator
	912011-0083	FUSE 15A







油箱总成

1	805002-0003	fuel tank
2	805003-0010	fuel tank cap
3	108001-0001	fuel filter
4		mount bush
5		flange bolt
6		oil pipe clip
7	805004-0007	tank switch



KAYO USA

STORM 150

NO.	TX Warehouse No.	Description
		  
	覆盖件组件	
1	308001-0019	headlight
	916001-0154	HEADLIGHT BULB
2	803003-0004	black head cover
3	803003-0001-03	front main cover WHITE
	803003-0001-04	front main cover BLACK
4	701000-0022	black seat
5	803003-0003-04	rear main cover BLACK
	803003-0003	rear main cover WHITE
6	903012-0007-02	bolt
7	908003-0002	rubber washer
8	903007-0002-02	flange locknut
9	903008-0020-2	nut
10	803003-0002-03	middle fender WHITE
	803003-0002-04	middle fender BLACK
	803003-0002	middle fender RED
11	903010-0005-02	bolt
12	803005-0009	battery box
图示未标注注件同6,7,8项		battery box
		
1	804004-0003	STORM 150 3M sticker for BLACK/WHITE plastics
1-1	804004-0004	STORM 150 3M sticker for RED plastics
	101021-0611	STARTER
		STATOR
	101021-0552	CHAIN COVER, front
		INTERNAL ENGINE GEAR INDICATOR
		INTAKE MANIFOLD
		PARKING BRAKE
	101021-0457	SPARK PLUG